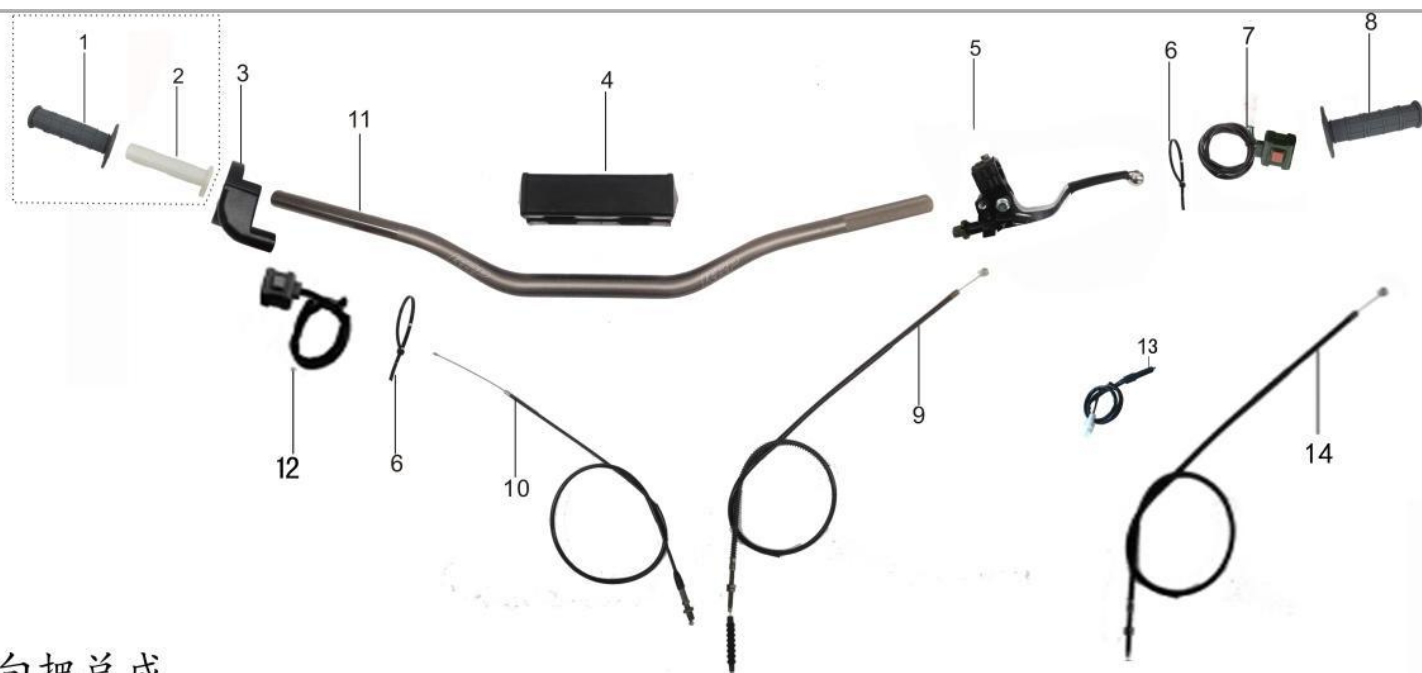


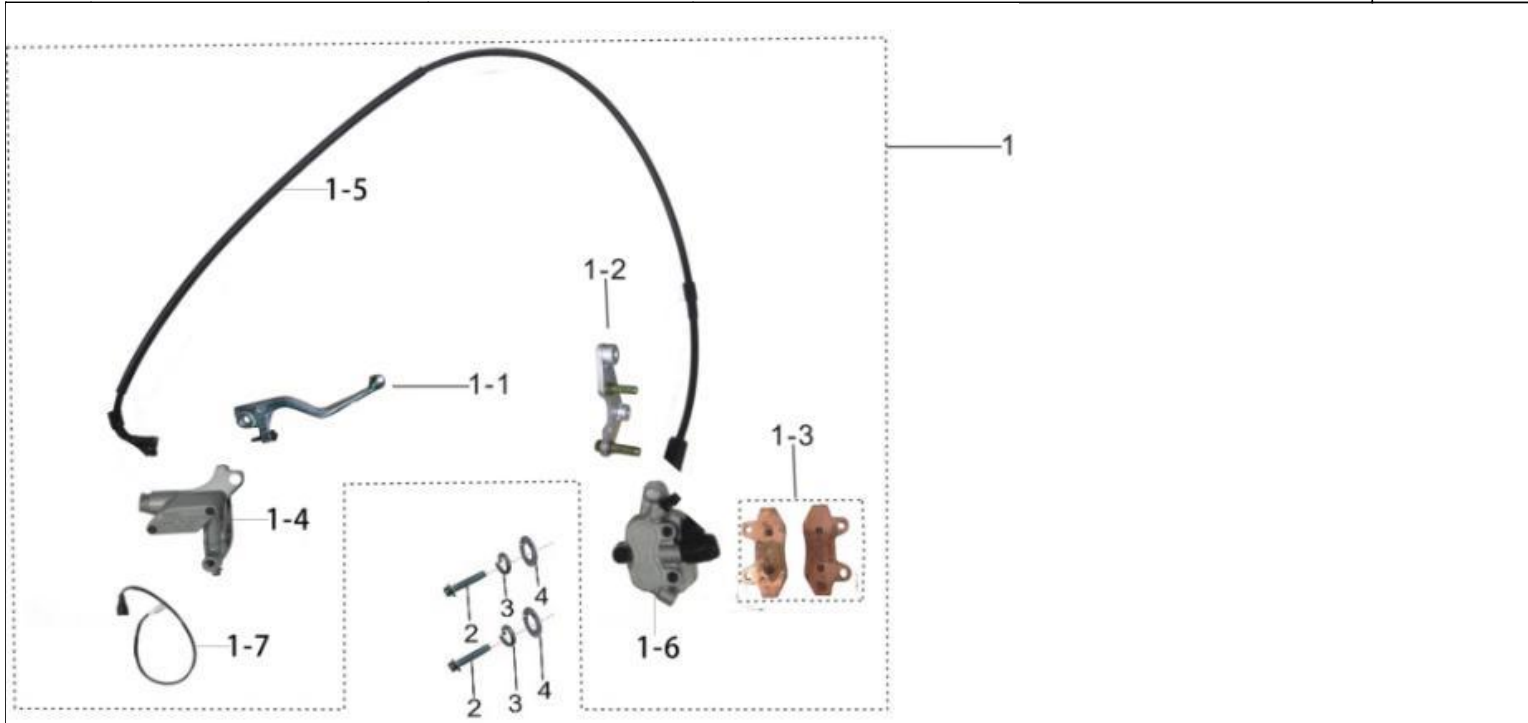
No.	part number	model	description	Qty/vehicle
-----	-------------	-------	-------------	-------------



方向把总成

No.	U8 Code	Model	EN name	Qty/vehicle
1	602006-0019	K2 PRO EPA	right grip	1
2	602012-0001	K2 PRO EPA	throttle perch tube	1
3	602011-0003	K2 PRO EPA	throttle perch	1
4	602017-0005	K2 PRO EPA	handle bar foam	1
5	602007-0022	K2 PRO EPA	brake lever	1
6	908007-0071	K2 PRO EPA	belt 91*12*2	2
7	313003-0013	K2 PRO EPA	stop switch	1
8	602006-0018	K2 PRO EPA	left grip	1
9	602013-0020-02	K2 PRO EPA	clutch cable	1
10	602014-0018	K2 PRO EPA	throttle cable	1
11	602002-0025	K2 PRO EPA	handle bar	1
12	313002-0005	K2 PRO EPA	start switch	1
13	602007-0016-02	K2 PRO EPA	Clutch handle induction wire	1
14	602015-0008	K2 PRO EPA	throttle cable	1

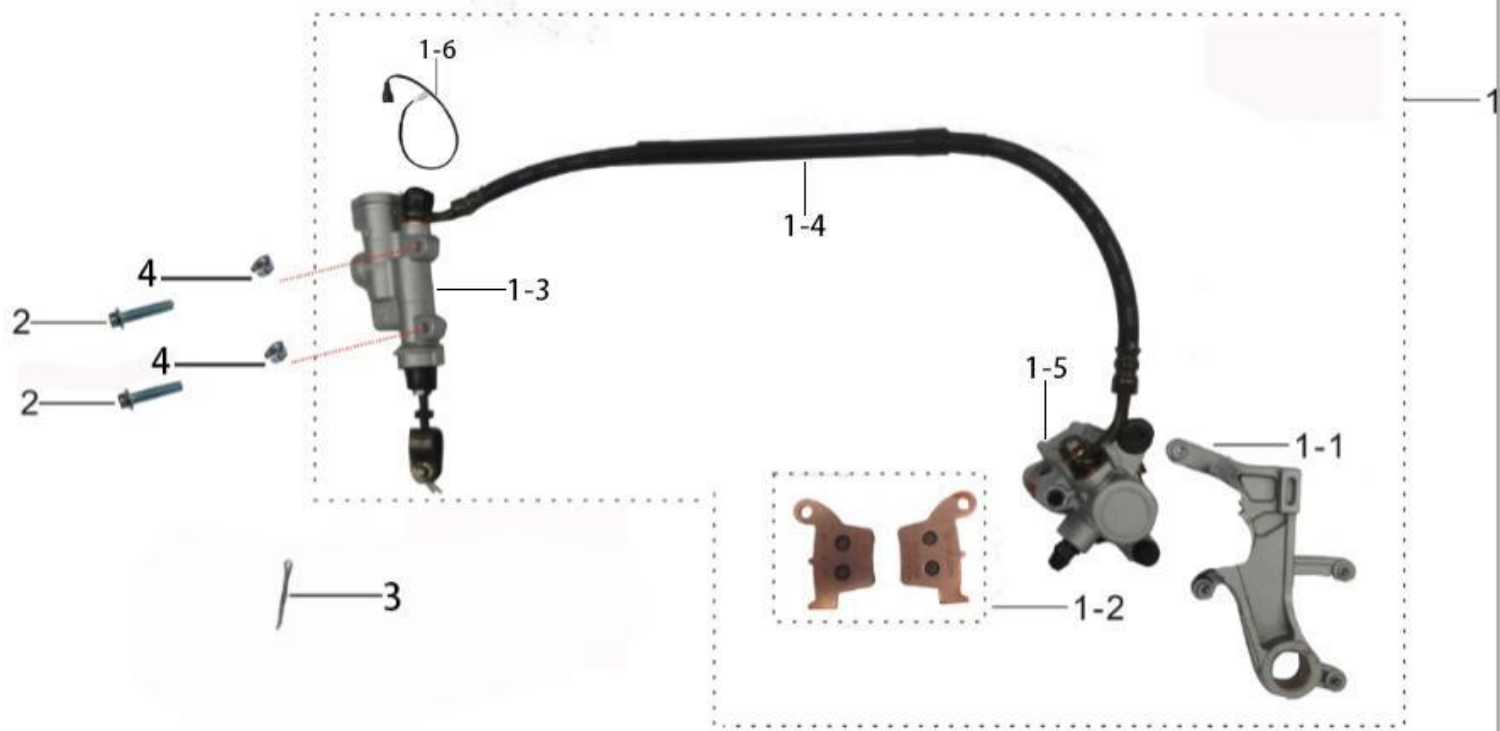
No.	part number	model	description	Qty/vehicle
-----	-------------	-------	-------------	-------------



前制动总成

No.	U8 Code	Model	EN name	Qty/vehicle
1	404000-0109	K2 PRO EPA	front disc brake	1
1-1	404002-0024	K2 PRO EPA	brake lever	1
1-2	404008-0004	K2 PRO EPA	front brake bracket	1
1-3	404007-0019	K2 PRO EPA	front brake pad	1
1-4	404003-0020	K2 PRO EPA	front brake master cylinder	1
1-5	404005-0034	K2 PRO EPA	front brake oil pipe L=1240	1
1-6	404006-0024	K2 PRO EPA	Front brake caliper	1
1-7	404011-0026	K2 PRO EPA	front brake master cylinder switch	1
2	903018-0012-03	K2 PRO EPA	bolt M8*40	2
3	903001-0003-02	K2 PRO EPA	washer $\Phi 8 \times 13 \times 2$	2
4	903002-0004-03	K2 PRO EPA	washer $\Phi 8 \times 16 \times 1.5$	2

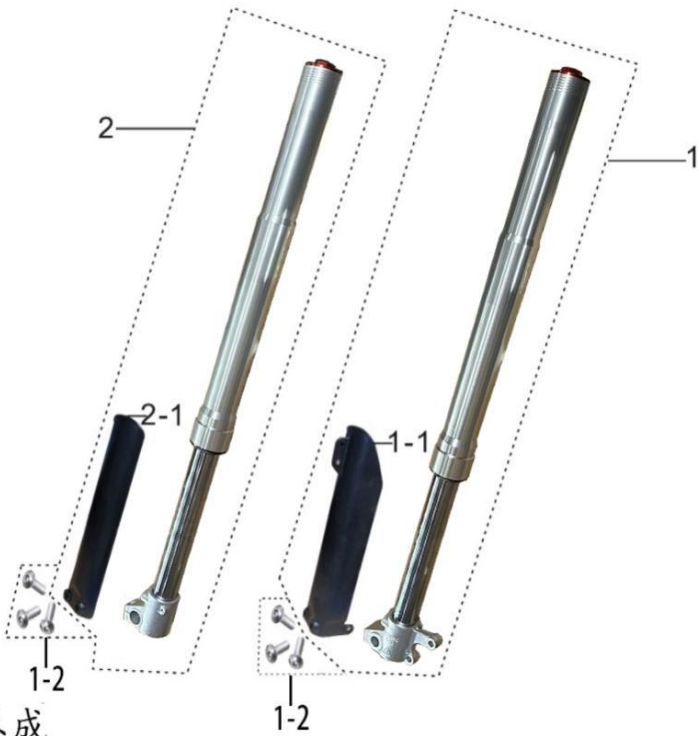
No.	part number	model	description	Qty/vehicle
-----	-------------	-------	-------------	-------------



后制动总成

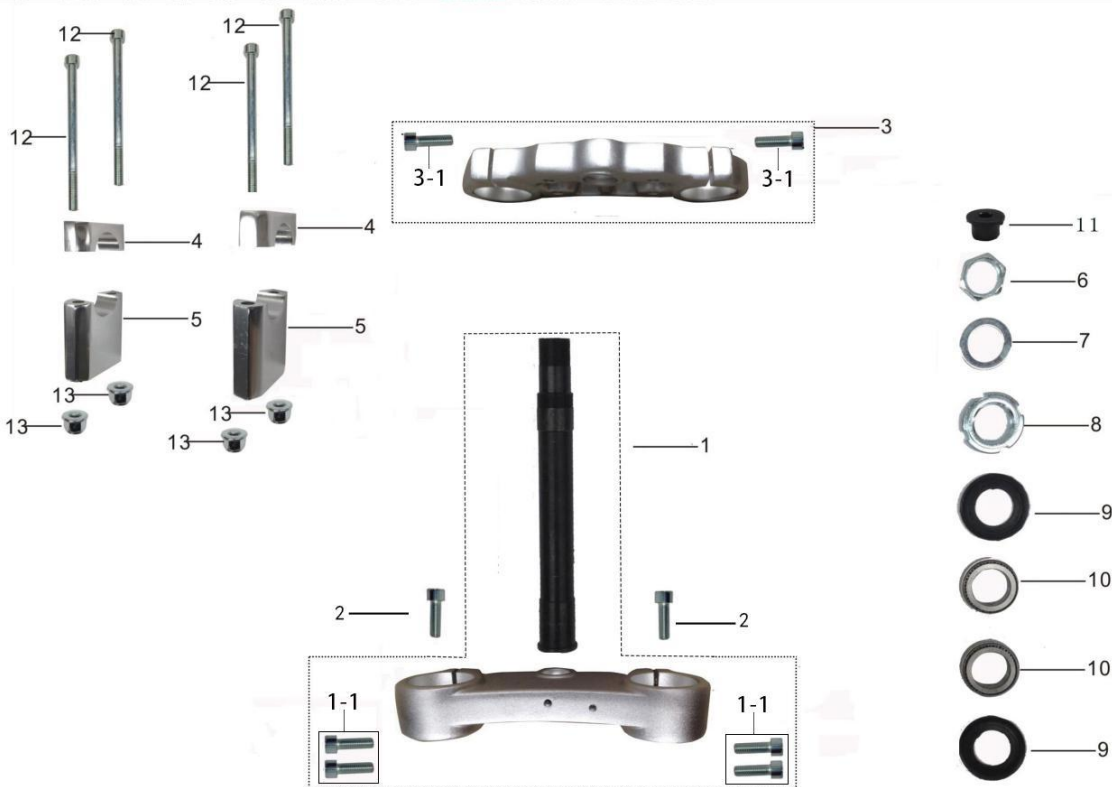
No.	U8 Code	Model	EN name	Qty/vehicle
1	405000-0145	K2 PRO EPA	rear disc brake	1
1-1	405009-0013	K2 PRO EPA	rear bracket	1
1-2	405008-0015	K2 PRO EPA	rear brake pad	1
1-3	405004-0020	K2 PRO EPA	rear brake master cylinder	1
1-4	405006-0033	K2 PRO EPA	rear brake oil pipe L=605mm	1
1-5	405007-0029	K2 PRO EPA	rear brake caliper	1
1-6	405012-0015	K2 PRO EPA	rear brake master cylinder switch	1
2	903020-0034-02	K2 PRO EPA	screw M6*20	2
3	904002-0001-03	K2 PRO EPA	cotter pin 2*20	1
4	903007-0003	K2 PRO EPA	nut M6	2

No.	part number	model	description	Qty/vehicle
-----	-------------	-------	-------------	-------------



前减总成

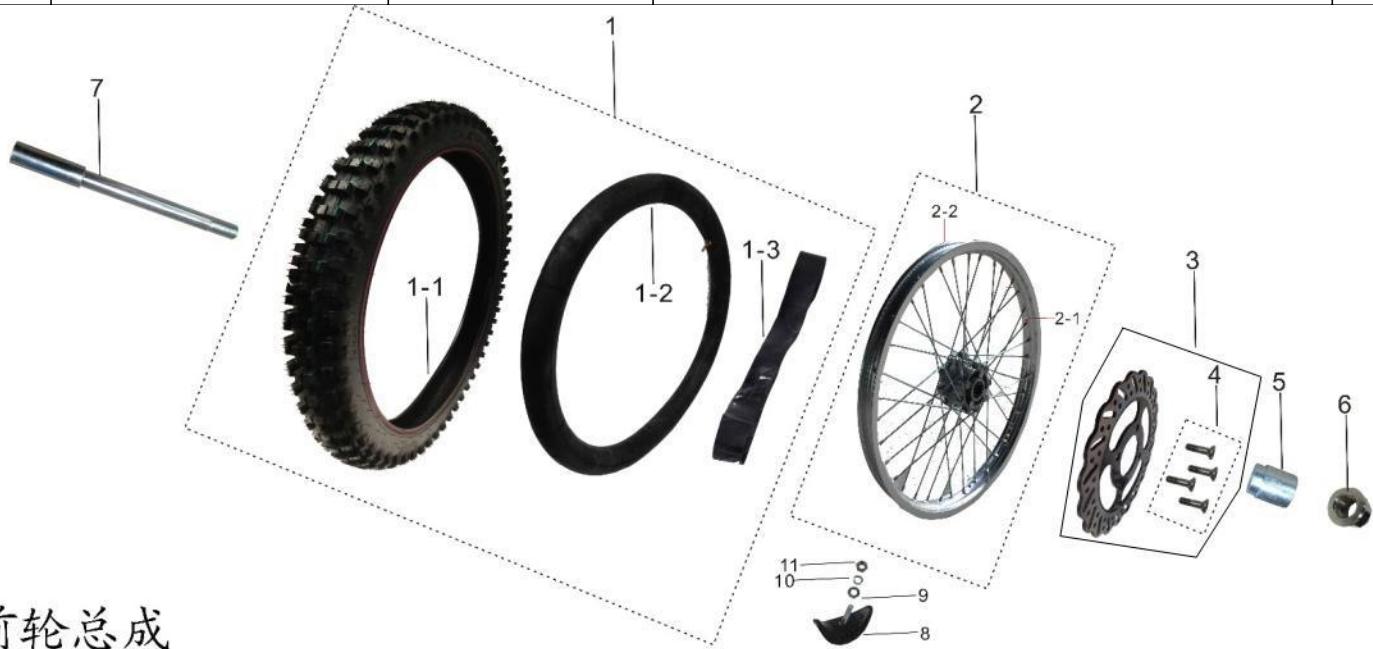
No.	U8 Code	Model	EN name	Qty/vehicle
1	501000-0047	K2 PRO EPA	Left Front Fork	1
1--1	501001-0003	K2 PRO EPA	Left Front Cover	1
1--2	903015-0002	K2 PRO EPA	screw M6*16	6
2	501000-0048	K2 PRO EPA	Right Front Fork	1
2--1	501001-0004	K2 PRO EPA	Right Front Cover	1



联板总成

No.	U8 Code	Model	EN name	Qty/vehicle
-----	---------	-------	---------	-------------

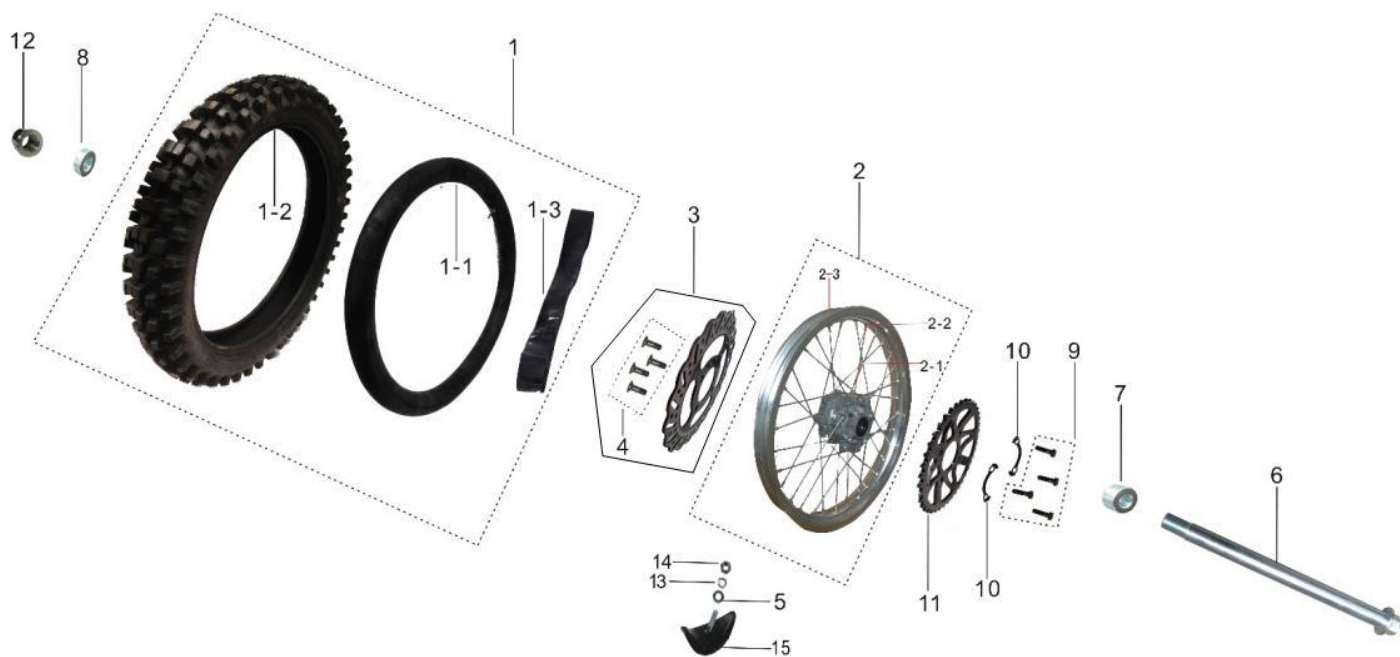
No.	part number	model	description	Qty/vehicle
1	601002-0016	K2 PRO EPA	lower clamp assy	1
1-1	903013-0008	K2 PRO EPA	screw M6*20	4
2	903013-0017-03	K2 PRO EPA	screw M8*16	2
3	601001-0006-02	K2 PRO EPA	upper clamp	1
3-1	903013-0018	K2 PRO EPA	screw M8*20	2
4	601003-0002-03	K2 PRO EPA	upper raiser	2
5	601004-0003-03	K2 PRO EPA	lower raiser	2
6	601005-0002	K2 PRO EPA	nut M26*1	1
7	601005-0014	K2 PRO EPA	washer $\Phi 27*40*1.5$	1
8	601005-0006	K2 PRO EPA	locking nut M30*1*H12	1
9	601005-0010	K2 PRO EPA	dust seal	2
10	907002-0008	K2 PRO EPA	bearing 32906	2
11	908004-0004	K2 PRO EPA	plug	1
12	903013-0033-03	K2 PRO EPA	screw M8*110	4
13	903007-0005	K2 PRO EPA	nut M8 90309-KV8-8400	4



前轮总成

No.	U8 Code	Model	EN name	Qty/vehicle
1	401005-0013	K2 PRO EPA	front wheel assy 80/100-21 P153-02	1
1-1	401006-0011	K2 PRO EPA	front tyre 80/100-21	1
1-2	401007-0006	K2 PRO EPA	inner tube 2.75-21	1
1-3	401008-0007	K2 PRO EPA	lining belt 21	1
2	401000-0069	K2 PRO EPA	front rim assy 1.6*21	1

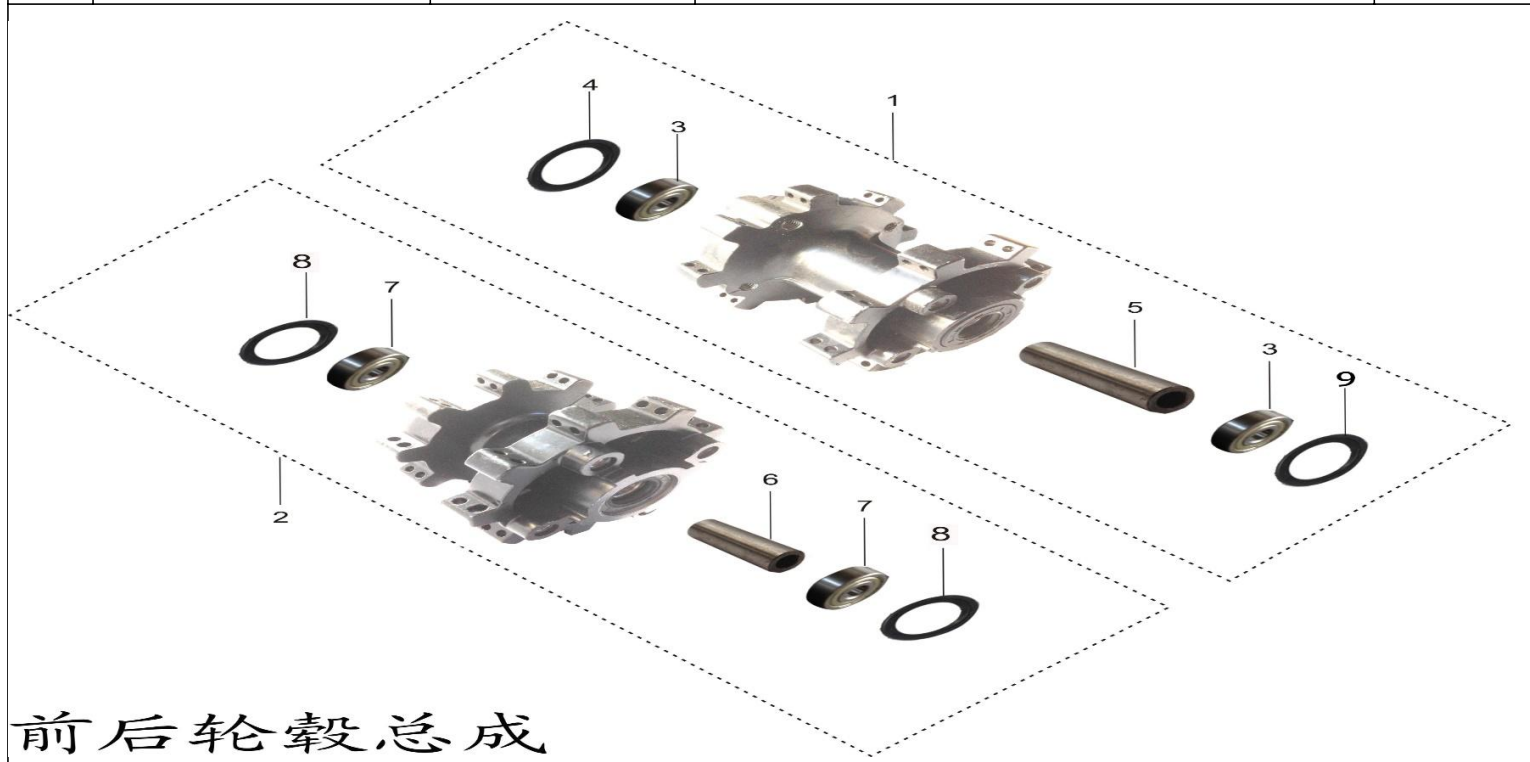
No.	part number	model	description	Qty/vehicle
2-1	401004-0012	K2 PRO EPA	front spoke	36
2-2	401001-0009	K2 PRO EPA	aluminum rim 1.6*21	1
3	404001-0018	K2 PRO EPA	front brake disc $\Phi 58*\Phi 240$	1
4	405012-0001	K2 PRO EPA	screw M8*20*1.25	4
5	902002-0039	K2 PRO EPA	bush $\Phi 15*25*H19+\Phi 22+H7$	1
6	903007-0009-02	K2 PRO EPA	nut M14*1.5	1
7	901002-0007	K2 PRO EPA	inner hexagon reducing shaft $\Phi 15*70*225*M14*1.5mm$	1
8	401010-0004	K2 PRO EPA	rim lock 1.6-1.85/M8*45	1
9	903002-0004-03	K2 PRO EPA	flat washer $\Phi 8*16*1.5$	1
10	903001-0003-02	K2 PRO EPA	spring gasket $\Phi 8*13*2$	1
11	903005-0006-02	K2 PRO EPA	nut M8	1



后轮总成

No.	U8 Code	Model	EN name	Qty/vehicle
1	402005-0015	K2 PRO EPA	rear wheel assy 110/90-18 P153-02	1
1-1	402006-0008	K2 PRO EPA	rear tyre 110/90-18	1
1-2	402007-0005	K2 PRO EPA	inner tube 3.15/3.50-18	1
1-3	401008-0005	K2 PRO EPA	lining belt	1
2	402000-0077	K2 PRO EPA	rear rim assy 2.15*18	1
2-1	402004-0016	K2 PRO EPA	rear spoke/outer	16
2-2	402004-0015	K2 PRO EPA	rear spoke/inner	16
2-3	402001-0015	K2 PRO EPA	aluminum rim 2.15*18	1

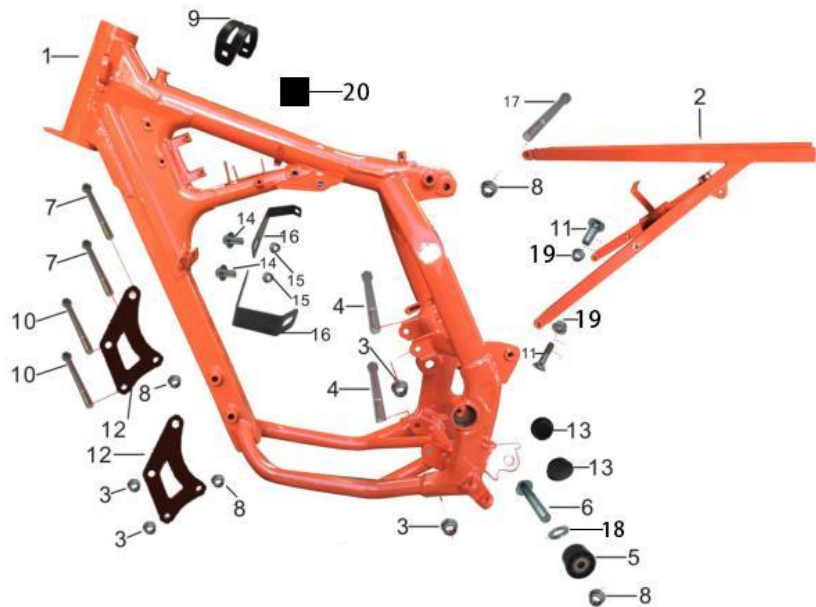
No.	part number	model	description	Qty/vehicle
3	405001-0016	K2 PRO EPA	rear brake disc 'Φ58*Φ220	1
4	405012-0001	K2 PRO EPA	screw M8*20*1.25	4
5	903002-0004-03	K2 PRO EPA	flat washer Φ8*16*1.5	1
6	901001-0033-03	K2 PRO EPA	flange axle Φ15*225*M14*1.5mm	1
7	902001-0063	K2 PRO EPA	busher Φ15*25*H21	1
8	902001-0073	K2 PRO EPA	busher Φ15*25*H8	1
9	903017-0013	K2 PRO EPA	bolt M10*40*1.5	4
10	906004-0002	K2 PRO EPA	sprocket wheel lock piece	2
11	205001-0052	K2 PRO EPA	rear sprocket	1
12	903007-0009-02	K2 PRO EPA	nut M14*1.5	1
13	903001-0003-02	K2 PRO EPA	spring gasket Φ8*13*2	1
14	903005-0006-02	K2 PRO EPA	nut M8	1
15	401010-0005	K2 PRO EPA	rim lock	1



前后轮毂总成

No.	U8 Code	Model	EN name	Qty/vehicle
1	401003-0015	K2 PRO EPA	front hub assy	1
2	402003-0019	K2 PRO EPA	rear hub assy	1
3	907001-0018	K2 PRO EPA	bearing 6202RS/P6 CCXS	2
4	908001-0014	K2 PRO EPA	oil seal/22*35*7	1
5	902001-0099	K2 PRO EPA	bush 15.5*21.5*60.5	1
6	902001-0100	K2 PRO EPA	bush 15.5*21.5*108	1

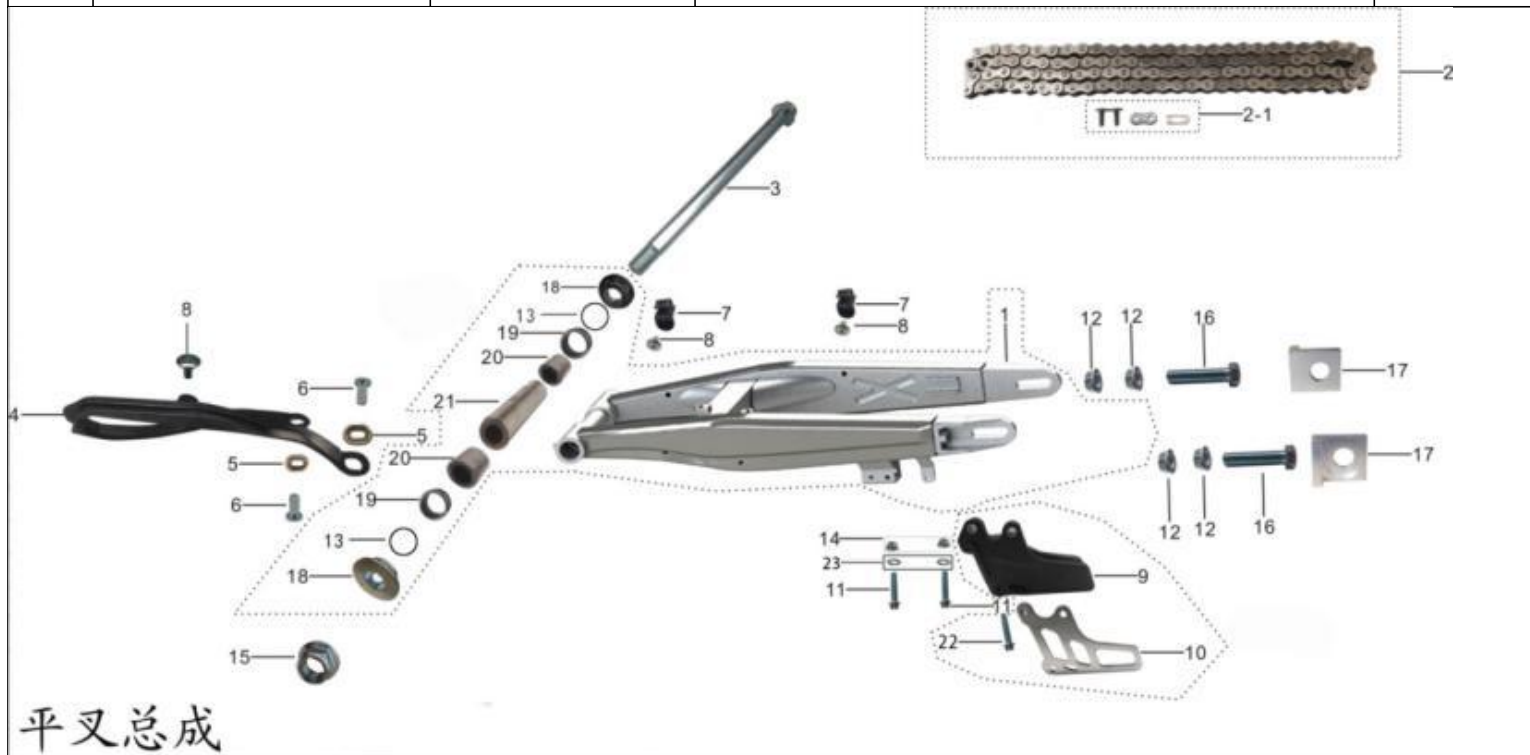
No.	part number	model	description	Qty/vehicle
7	907001-0020	K2 PRO EPA	bearing 6302RS/P6 CCXS	2
8	908001-0009	K2 PRO EPA	oil seal $\Phi 42 \times \Phi 25 \times 7$	2
9	908001-0025	K2 PRO EPA	oil seal 20*35*7	1



车架总成

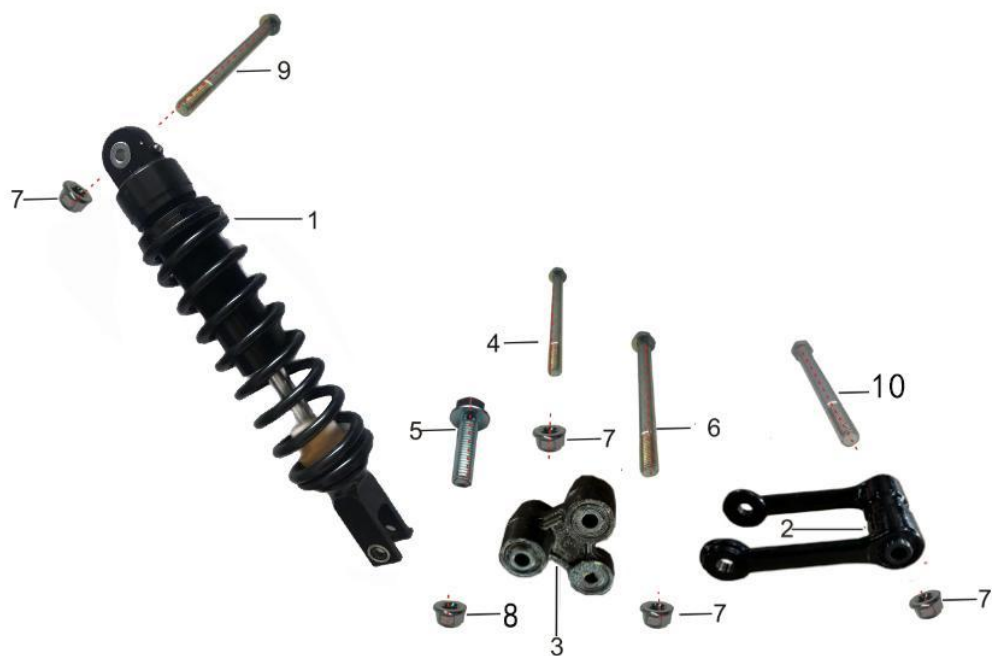
No.	U8 Code	Model	EN name	Qty/vehicle
1	551000-0152-01	K2 PRO EPA	Frame	1
2	552000-0042-01	K2 PRO EPA	sub frame assy.	1
	903008-0014	K2 PRO EPA	nut M6	3
3	903007-0006-02	K2 PRO EPA	locking nut M10*1.25	4
4	903017-0017-02	K2 PRO EPA	bolt M10*110*1.25	2
5	203004-0016	K2 PRO EPA	chain roller $\Phi 38 \times H25$	1
6	903018-0012-03	K2 PRO EPA	flange bolt M8*40	1
7	903018-0020-02	K2 PRO EPA	bolt M8*90	2
8	903007-0005	K2 PRO EPA	nut M8 90309-KV8-8400	4
9	908003-0007	K2 PRO EPA	rubber washer 146*35*6	1
10	903019-0023	K2 PRO EPA	bolt M10*90*1.25	2
11	903020-0058	K2 PRO EPA	bolt M8*20	2
12	555000-0104	K2 PRO EPA	engine front mounting plate	2
13	908004-0008	K2 PRO EPA	swing arm plug $\Phi 27 + \Phi 33 + \Phi 40 \times 16.5$	2
14	903019-0004	K2 PRO EPA	bolt M6*16 95701-06016-00	2
15	903006-0002-03	K2 PRO EPA	nut M6	2

No.	part number	model	description	Qty/vehicle
16	555000-0107	K2 PRO EPA	front right/left cover bracket	2
17	903018-0017-02	K2 PRO EPA	bolt M8*65	1
18	903002-0004-03	K2 PRO EPA	flat washer $\Phi 8*16*1.5$	1
19	903006-0003-03	K2 PRO EPA	nut M8	2
20	909010-0001	K2 PRO EPA	EVA 30*30	1



No.	U8 Code	Model	EN name	Qty/vehicle
1	553000-0073-03	K2 PRO EPA	rear fork	1
2	203000-0073	K2 PRO EPA	chain	1
2-1	203001-0006	K2 PRO EPA	chain clip 520H	1
3	901001-0038-02	K2 PRO EPA	flange axle $\Phi 17*226*M16*1.5mm$	1
4	203004-0018	K2 PRO EPA	chain slider	1
5	903003-0006	K2 PRO EPA	washer	2
6	903009-0010-03	K2 PRO EPA	screw M6*12	2
7	405010-0001	K2 PRO EPA	oil pipe clip	2
8	903012-0006-03	K2 PRO EPA	screw TM6*12	3
9	203004-0001	K2 PRO EPA	chain guide	1
10	203004-0002	K2 PRO EPA	chain guide plate	1
11	903019-0010-03	K2 PRO EPA	bolt M6*35	2
12	903005-0006-02	K2 PRO EPA	nut M8	4
13	908005-0004	K2 PRO EPA	O ring $\Phi 28*3.1$	2

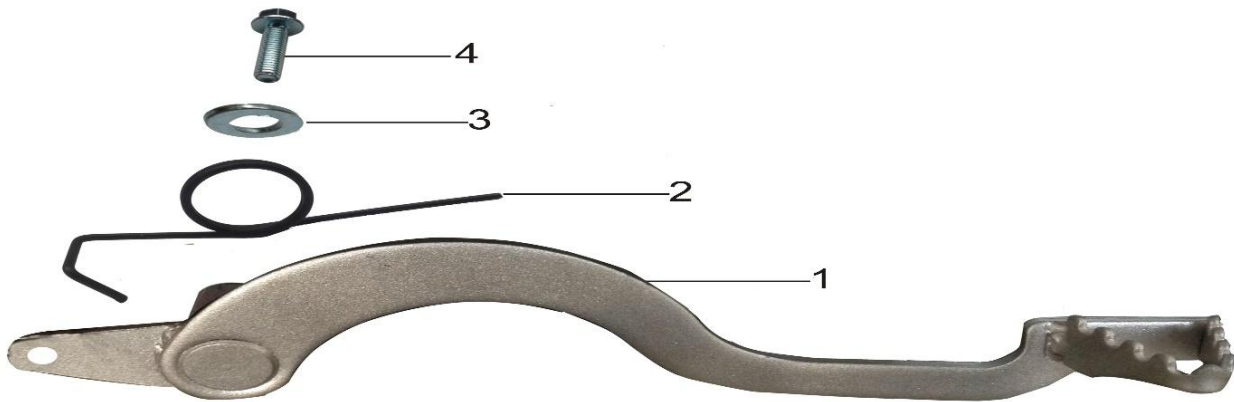
No.	part number	model	description	Qty/vehicle
14	903007-0003	K2 PRO EPA	locking nut M6 90301-KRS-8300	2
15	903007-0011-02	K2 PRO EPA	locking nut M16*1.5	1
16	903017-0010-03	K2 PRO EPA	bolt M8*70	2
17	203002-0001-06	K2 PRO EPA	alloy chain adjuster L/Φ15	2
18	902002-0040	K2 PRO EPA	bush Φ17*40*H12.5	2
19	907002-0004	K2 PRO EPA	bearing	2
20	902001-0078	K2 PRO EPA	bush Φ17*22*H20	2
21	902001-0082	K2 PRO EPA	bush Φ18*22*H125	1
22	903018-0008-03	K2 PRO EPA	flange bolt M6*40	1
23	903002-0002-03	K2 PRO EPA	washer Φ6*18*1.5	2



后减与摇架总成

No.	U8 Code	Model	EN name	Qty/vehicle
1	502000-0093	K2 PRO EPA	rear shock	1
2	504000-0002	K2 PRO EPA	U-shaped rocking frame	1
3	503000-0001	K2 PRO EPA	triangle rocking frame	1
4	903017-0022-02	K2 PRO EPA	bolt M10*65*1.25	1
5	903020-0013-02	K2 PRO EPA	bolt M10*42*1.25+Φ10*28	1
6	903019-0023	K2 PRO EPA	bolt M10*90*1.25	1
7	903007-0006-02	K2 PRO EPA	locking nut M10*1.25	4
8	903006-0004-02	K2 PRO EPA	locking nut M10*1.25	1

No.	part number	model	description	Qty/vehicle
9	903018-0034-02	K2 PRO EPA	bolt M10*50*1.25	1
10	901001-0003-02	K2 PRO EPA	flange axle $\Phi 10*105*M10*1.25mm$	1



刹车踏板总成

No.	U8 Code	Model	EN name	Qty/vehicle
1	406001-0010-03	K2 PRO EPA	brake pedal	1
2	407003-0006	K2 PRO EPA	rear brake spring $\Phi 25*\Phi 2.5*3$	1
3	903002-0005-03	K2 PRO EPA	flat washer $\Phi 8*28*1.5$	1
4	903019-0012-03	K2 PRO EPA	bolt M8*16	1



发动机总成

No.	U8 Code	Model	EN name	Qty/vehicle
-----	---------	-------	---------	-------------

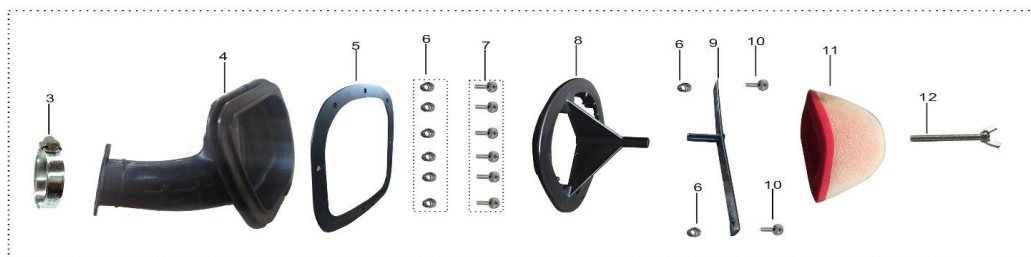
No.	part number	model	description	Qty/vehicle
1	101000-0680	K2 PRO EPA	engine	1
2	903013-0008-03	K2 PRO EPA	screw M6*20	1
3	201002-0024	K2 PRO EPA	gear shift lever	1



单撑与脚踏组件

No.	U8 Code	Model	EN name	Qty/vehicle
1	554000-0038	K2 PRO EPA	side stand L=410	1
2	407002-0001	K2 PRO EPA	side stand spring $\Phi 15*\Phi 2.5*H40*16$	1
3	903020-0002-03	K2 PRO EPA	bolt M10*35*1.5	1
4	903007-0007-03	K2 PRO EPA	nut M10*1.5	1
5	506003-0033	K2 PRO EPA	right footpeg assy.	1
6	904001-0002	K2 PRO EPA	hinger pin $\Phi 8*44.5+\Phi 3*41$	2
7	407001-0001	K2 PRO EPA	strong spring $\Phi 20*\Phi 2.5*H18*3$	1
8	904002-0002-03	K2 PRO EPA	cotter pin 2.5*24	2
9	506003-0009	K2 PRO EPA	left footpeg assy.	1
10	407001-0008	K2 PRO EPA	left footpeg spring $\Phi 20*\Phi 2*H8*4$	1
11	903002-0011-02	K2 PRO EPA	washer $\Phi 13*20*1.5$	1

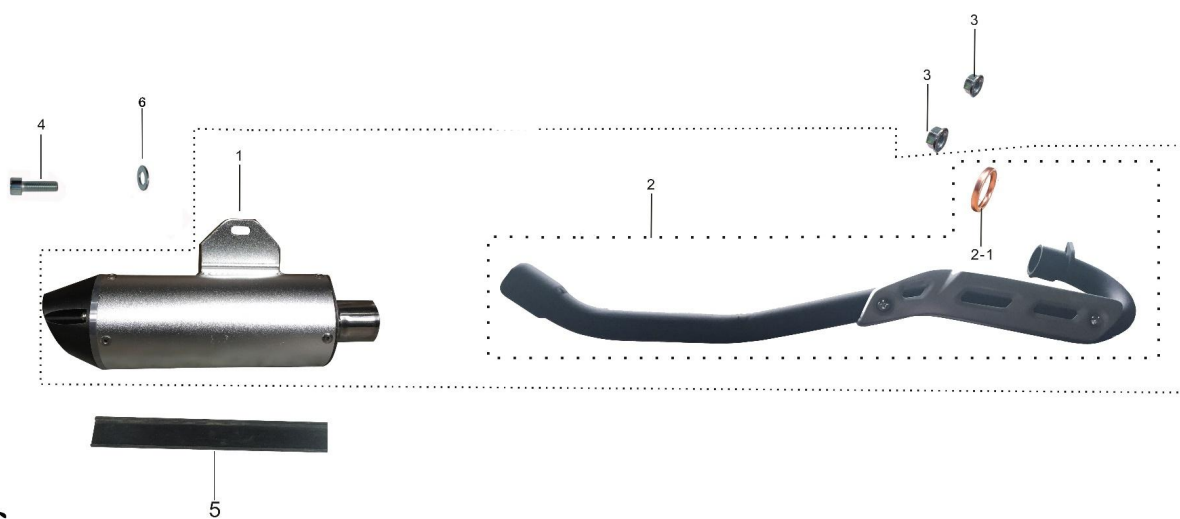
No.	part number	model	description	Qty/vehicle
-----	-------------	-------	-------------	-------------



空滤器总成

No.	U8 Code	Model	EN name	Qty/vehicle
1	102000-0096	K2 PRO EPA	carburetor	1
2	105003-0010	K2 PRO EPA	air inlet rubber pipe	1
3	906001-0004	K2 PRO EPA	clamp Φ 51-70	1
4	105003-0032	K2 PRO EPA	air inlet pipe Φ 48	1
5	105004-0002	K2 PRO EPA	press plate	1
6	903007-0003	K2 PRO EPA	locking nut M6 90301-KRS-8300	8
7	903012-0007-04	K2 PRO EPA	screw TM6*16	6
8	105004-0003	K2 PRO EPA	sponge bracket	1
9	105004-0001	K2 PRO EPA	press plate	1
10	903012-0008-03	K2 PRO EPA	screw TM6*20	2
11	105002-0005	K2 PRO EPA	sponge	1
12	903020-0007	K2 PRO EPA	bolt M6*60	1

No.	part number	model	description	Qty/vehicle
-----	-------------	-------	-------------	-------------



消音器总成

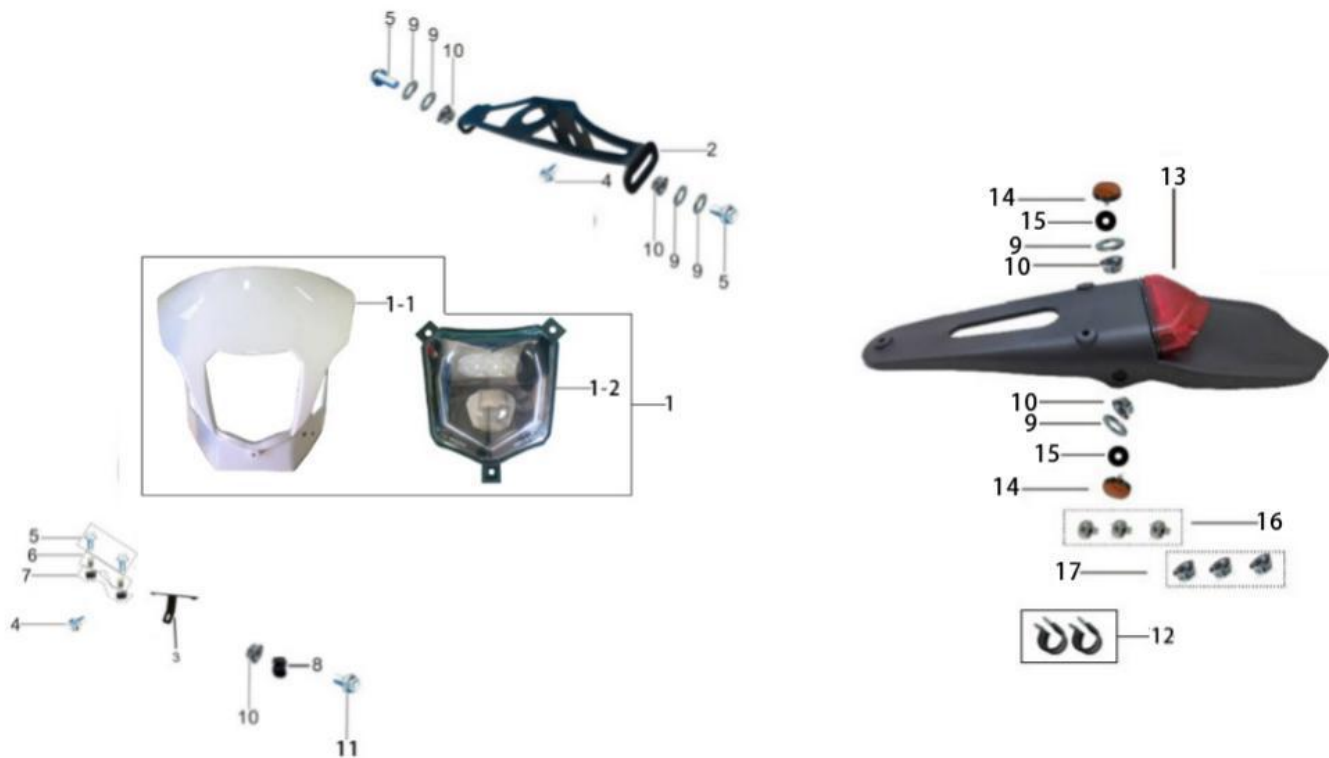
No.	U8 Code	Model	EN name	Qty/vehicle
1	106002-0011	K2 PRO EPA	muffler	1
2	106001-0133	K2 PRO EPA	muffler pipe	1
2-1	106003-0001	K2 PRO EPA	muffler pipe seal gasket	1
3	903007-0005	K2 PRO EPA	nut M8 90309-KV8-8400	2
4	903013-0020-05	K2 PRO EPA	screw M8*25	1
5	106006-0008	K2 PRO EPA	shock absorption strip	1
6	903002-0005-03	K2 PRO EPA	flat washer $\Phi 8*28*1.5$	1

No.	part number	model	description	Qty/vehicle

电器组件

No.	U8 Code	Model	EN name	Qty/vehicle
1	309001-0177	K2 PRO EPA	main cable	1
2	303001-0004-02	K2 PRO EPA	CDI	1
3	306001-0018	K2 PRO EPA	ignition coil	1
4	903018-0004-03	K2 PRO EPA	bolt M6*16	2
5	903006-0002-03	K2 PRO EPA	nut M6	2
6	301001-0004	K2 PRO EPA	relay 15A	1
7	312001-0027	K2 PRO EPA	battery GTZ7S 6.5AH	1
8	315012-0007	K2 PRO EPA	battery bracket	1
9	314001-0012-03	K2 PRO EPA	electric lock	1
10	903019-0004	K2 PRO EPA	bolt M6*16 95701-06016-00	2
11	908003-0002	K2 PRO EPA	rubber flat washer $\Phi 5.5 \times 15 \times 2$	2
12	302001-0009	K2 PRO EPA	voltage regulator	1
13	903012-0007-04	K2 PRO EPA	screw TM6*16	1

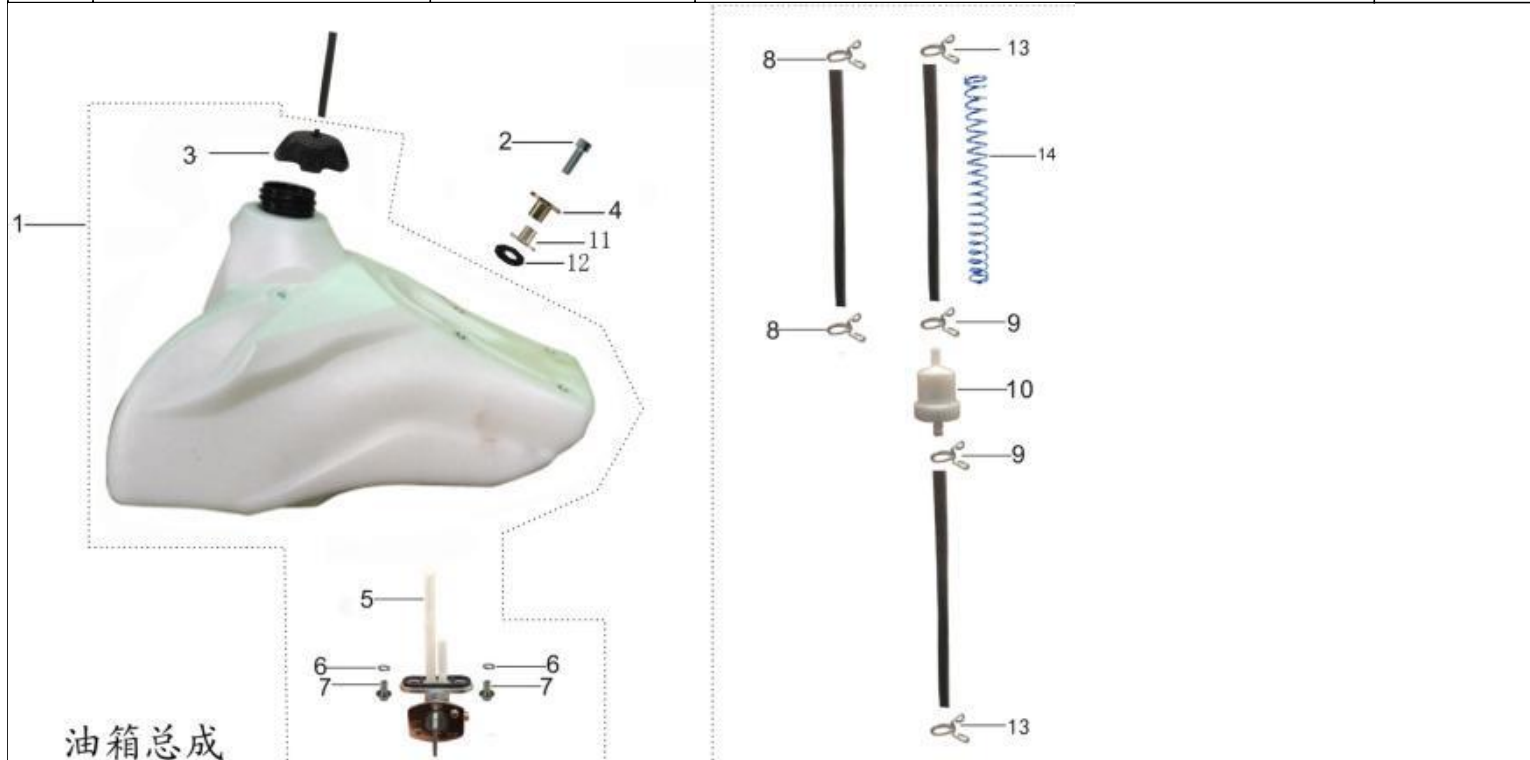
No.	part number	model	description	Qty/vehicle
-----	-------------	-------	-------------	-------------



前大灯组件

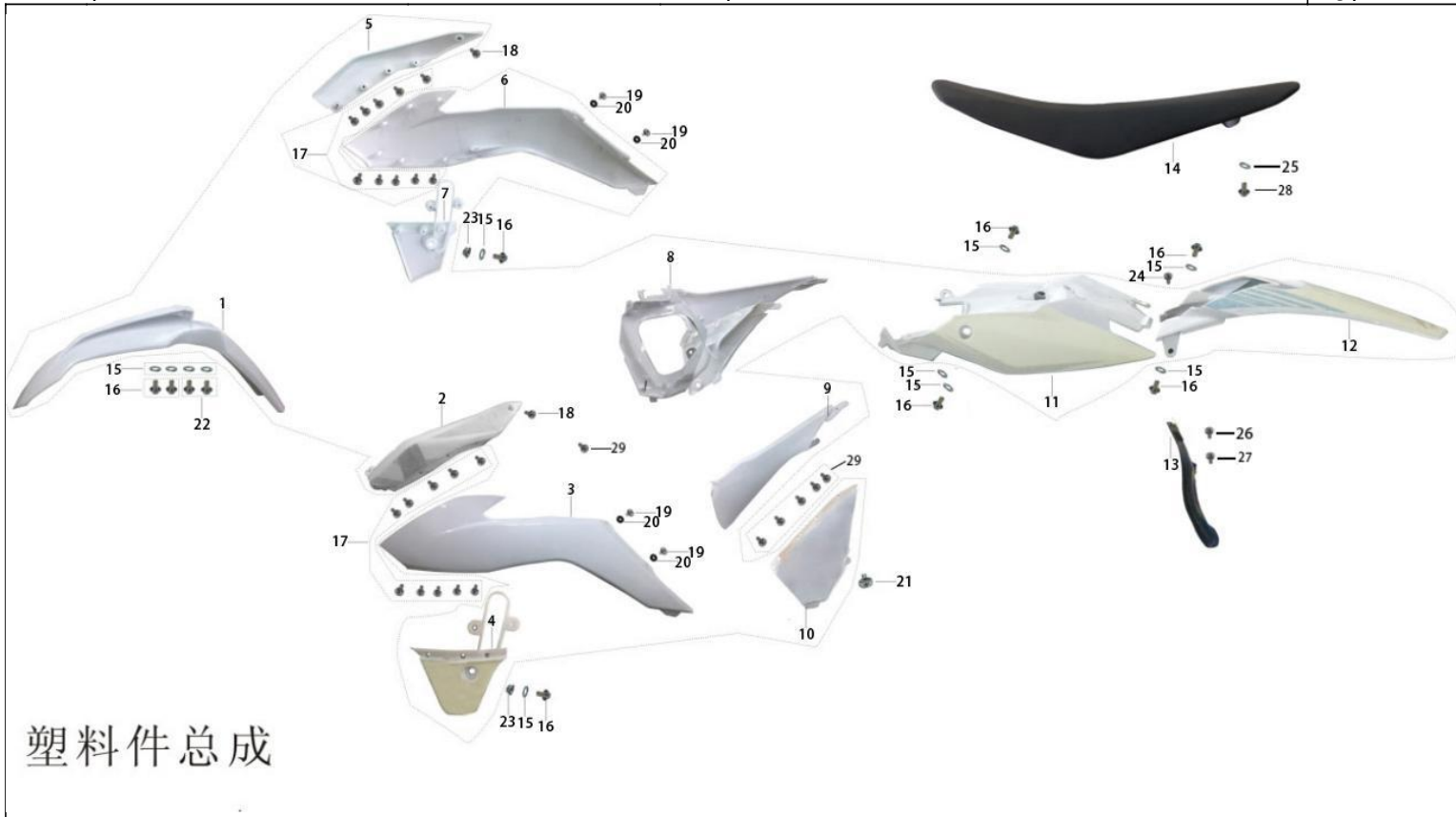
No.	U8 Code	Model	EN name	Qty/vehicle
1	308001-0035	K2 PRO EPA	headlight assy.	1
1-1	308006-0023	K2 PRO EPA	headlamp housing	1
1-2	308005-0010	K2 PRO EPA	Headlight bulb	1
2	315008-0007	K2 PRO EPA	upper bracket	1
3	315008-0024-02	K2 PRO EPA	lower bracket	1
4	903019-0002	K2 PRO EPA	bolt M6*12	2
5	903019-0004	K2 PRO EPA	bolt M6*16 95701-06016-00	4
6	902001-0001	K2 PRO EPA	busher $\Phi 6.2 \times 8.2 \times H7$	2
7	908007-0010	K2 PRO EPA	Rubber ring $\Phi 8 \times 11 + \Phi 18 \times H7$	2
8	801010-0022	K2 PRO EPA	cable clip $\Phi 13$	1
9	903002-0002-03	K2 PRO EPA	washer $\Phi 6 \times 18 \times 1.5$	6
10	903006-0002-03	K2 PRO EPA	nut M6	5
11	903018-0004-03	K2 PRO EPA	bolt M6*16	1
12	908007-0005	K2 PRO EPA	clip $\Phi 8/R$	2
13	315008-0012-03	K2 PRO EPA	rear light assy	1
14	308006-0008	K2 PRO EPA	Front and left reflectors	2
15	908003-0002	K2 PRO EPA	rubber flat washer $\Phi 5.5 \times 15 \times 2$	2
16	903020-0056-02	K2 PRO EPA	bolt M6*20	3

No.	part number	model	description	Qty/vehicle
17	903007-0003	K2 PRO EPA	locking nut M6 90301-KRS-8300	3



No.	U8 Code	Model	EN name	Qty/vehicle
1	805001-0033	K2 PRO EPA	fuel tank assy.	1
2	903013-0015-02	K2 PRO EPA	screw M6*45	1
3	805003-0026	K2 PRO EPA	fuel tank cover	1
4	103003-0001	K2 PRO EPA	bush $\Phi 6.5 \times 9 \times 10 + \Phi 20 \times 2$	1
5	805004-0001	K2 PRO EPA	petcock	1
6	903002-0001-03	K2 PRO EPA	flat washer $\Phi 6 \times 12 \times 1.5$	2
7	903018-0004-03	K2 PRO EPA	bolt M6*16	2
8	906002-0005	K2 PRO EPA	pipe clip $\Phi 9$	2
9	906002-0001	K2 PRO EPA	pipe clip $\Phi 7.5$	2
10	108001-0002	K2 PRO EPA	oil filter	1
11	902002-0076	K2 PRO EPA	bush $\Phi 6.5 \times 10 \times H13 + \Phi 22 + H2$	1
12	908003-0014	K2 PRO EPA	bush $\Phi 9.5 \times 22 \times H4$	1
13	906002-0002	K2 PRO EPA	pipe clip $\Phi 8$	2
14	407002-0002	K2 PRO EPA	spring $\Phi 10 \times \Phi 11 \times 120\text{mm}$	1

No.	part number	model	description	Qty/vehicle
-----	-------------	-------	-------------	-------------



No.	U8 Code	Model	EN name	Qty/vehicle
1	801009-0001	K2 PRO EPA	front mud guard/white	1
2	801009-0003	K2 PRO EPA	front left cover (upper)/white	1
3	801009-0004	K2 PRO EPA	front left cover (center)/white	1
4	801009-0005	K2 PRO EPA	front left cover (lower)/white	1
5	801009-0006	K2 PRO EPA	front right cover (upper)/white	1
6	801009-0007	K2 PRO EPA	front right cover (center)/white	1
7	801009-0008	K2 PRO EPA	front right cover (lower)/white	1
8	801009-0011	K2 PRO EPA	rear right cover assy./white	1
9	801009-0009	K2 PRO EPA	rear left cover (upper)/white	1
10	801009-0010	K2 PRO EPA	rear left cover (lower)/white	1
11	801009-0012	K2 PRO EPA	rear right/left cover/white	1
12	801009-0013	K2 PRO EPA	rear center cover/white	1
13	801009-0014	K2 PRO EPA	rear fender/balck	1
14	701000-0012-02	K2 PRO EPA	seat assy./balck	1
15	903002-0002-03	K2 PRO EPA	washer Φ6*18*1.5	11
16	903019-0004	K2 PRO EPA	bolt M6*16 95701-06016-00	8
17	903010-0006-03	K2 PRO EPA	screw ST4.8*12	20
18	903009-0009-02	K2 PRO EPA	screw M6*8	2

No.	part number	model	description	Qty/vehicle
19	903012-0006-03	K2 PRO EPA	screw TM6*12	4
20	908003-0002	K2 PRO EPA	rubber flat washer Φ 5.5*15*2	4
21	903012-0009-02	K2 PRO EPA	screw TM6*25	1
22	903019-0007	K2 PRO EPA	bolt M6*25	2
23	903007-0003	K2 PRO EPA	locking nut M6 90301-KRS-8300	2
24	903010-0010-02	K2 PRO EPA	screw ST6.3*40	1
25	903002-0006	K2 PRO EPA	washer Φ 8.5*24*1.5	1
26	903010-0008-02	K2 PRO EPA	screw ST4.8*19	1
27	903010-0007-02	K2 PRO EPA	screw ST4.8*16	1
28	903018-0012-03	K2 PRO EPA	flange bolt M8*40	1
29	903010-0004-03	K2 PRO EPA	screw ST4.2*12	6



No.	U8 Code	Model	EN name	Qty/vehicle
1	802009-0096	K2 PRO EPA	sticker	1
2	802009-0097	K2 PRO EPA	padding cover	1
3	802013-0078	K2 PRO EPA	warning sticker	1
4	909006-0024	K2 PRO EPA	warning sticker	1
5	802013-0081	K2 PRO EPA	warning sticker	1