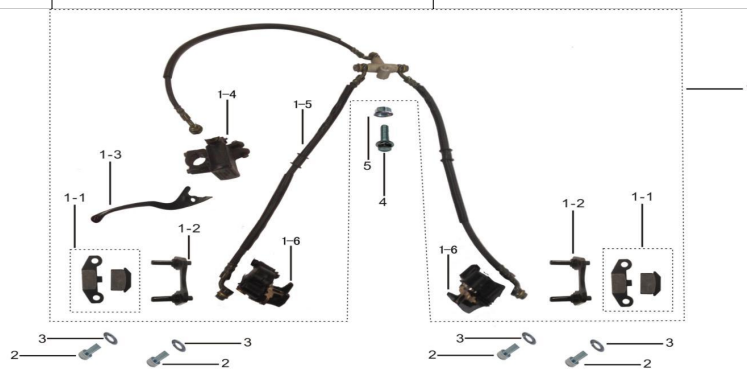


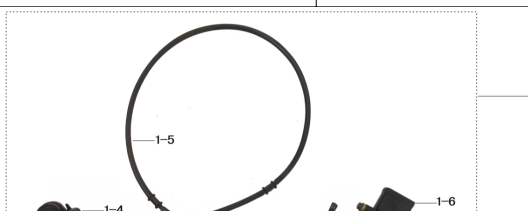
方向把组件

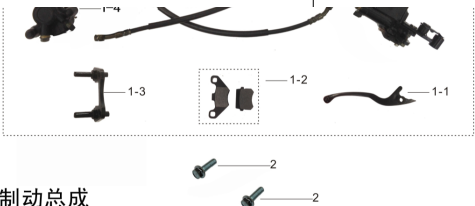
No.	U8 Code	EN name
1	602006-0015	black handle bar grip
2	313001-0008	multi-function switch
3	602001-0014	black handle bar
4	602017-0003	handlebar foam
5	313003-0011	front stop switch
6	602014-0002	throttle cable
7	602011-0008-02	accelerator
8	906003-0002	plastic belt
9	602015-0003	choke cable



前制动总成

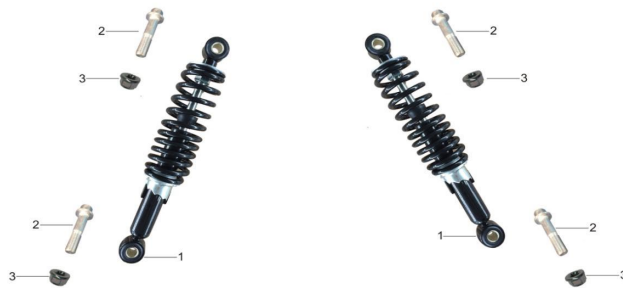
No.	U8 Code	EN name
1	404000-0128	Front brake assy
1-1	404007-0011	Front brake pad
1-2	404008-0011	Front brake bracket
1-3	404002-0016	Right brake lever
1-4	404003-0007	Front brake master cylinder
1-5	404005-0010	Front brake oil pipe
1-6	404006-0008	Front brake caliper
	404011-0014	Front brake switch
2	903019-0012-02	bolt
3	903002-0004-02	flat washer
4	903018-0011	bolt
5	903007-0004-02	lock nut



No.	Part Number	Description
		

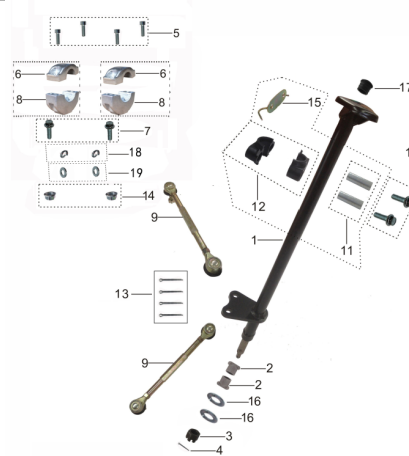
后制动总成

No.	U8 Code	EN name
1	405000-0082	rear brake assy.
1-1	404002-0015	rear brake lever-L
1-2	405008-0007	rear brake pad
1-3	405009-0011	rear brake bracket
1-4	405007-0014	rear Brake master cylinder
1-5	405006-0011	rear brake
1-6	405004-0011	front brake upper pump assy.
	405012-0009	Rear brake switch
2	903019-0013-02	flange bolt



前减总成

No.	U8 Code	EN name
1	501000-0085	front fork
2	903018-0032	flange bolt
3	903007-0006	flange lock nut



转向柱组件

No.	U8 Code	EN name
1	566000-0001-01	Steering column
2	902002-0031	steering column bush
3	903008-0009	slotted nut
4	904002-0002-02	cotter pin
5	903013-0021-02	screw

No.	Part Number	Description
6	601003-0003	Upper rasier
7	903017-0011	bolt
8	601004-0004	Lower rasier
9	603001-0002	steering pull rod
10	903018-0015	flange bolt
11	902001-0020	steering culumn raiser bush
12	601003-0013	steering column raiser
13	904002-0002-02	cotter pin
14	903007-0007	flange lock nut
15	568000-0001	clip
16	903003-0003	flat washer
17	908004-0003	plug
18	903001-0005	spring washer
19	903002-0008	flat washer



前轮总成

No.	U8 Code	EN name
1	401006-0034	front tire
2	401003-0008	front hub
2.1	401003-0010	front hub(2021.12~)
3	401000-0056-01	black front rim
4	404001-0014	front brake disc
5	903008-0011	slotted nut
6	904002-0004-02	cotter pin
7	401011-0001	hub cover
8	903014-0001	screw
9	903007-0004-02	lock nut
	401012-0002-02L	Front tire with rim left
	401012-0002-02R	Front tire with rim right

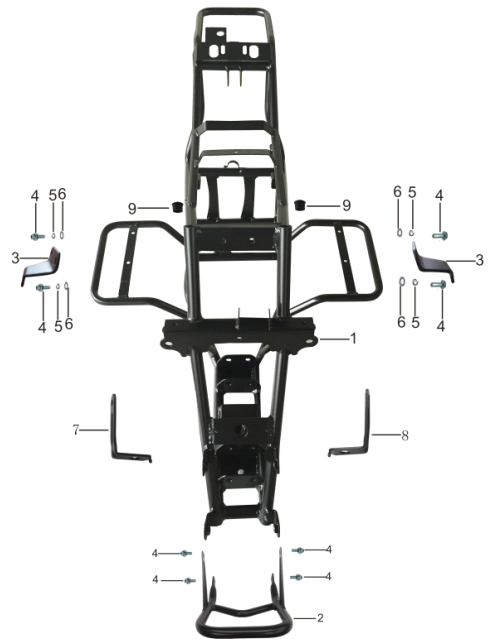


No.	Part Number	Description
-----	-------------	-------------

后轮总成

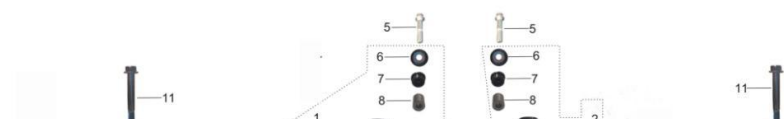


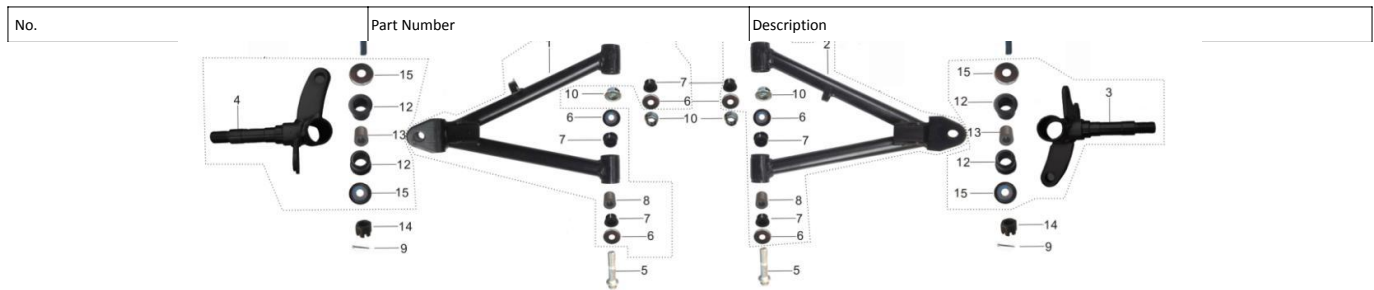
No.	U8 Code	EN name
1	401006-0034	rear tire
1.1	402006-0031	rear tire(2021.12~)
2	904002-0006-02	cotter pin
3	401000-0056-02	black rear rim
4	401011-0001	hub cover
5	903008-0012	slotted nut
6	903019-0014-02	flange bolt
7	903002-0014	flat washer
8	903007-0004-02	lock nut
9	903002-0004-02	flat washer
10	903001-0003	spring washer
	402008-0002-02L	Rear tire with rim left
	402008-0002-02R	Rear tire with rim right



车架总成

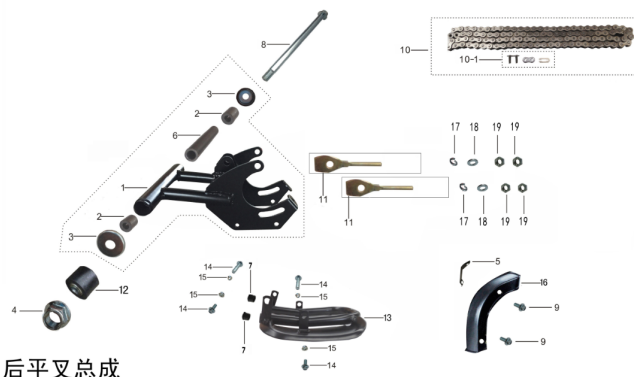
No.	U8 Code	EN name
1	561000-0041-01	frame black
1.1	561000-0041-01	frame orange
2	704000-0001-01	bumper
3	568000-0006	engine hanger
4	903019-0012-02	bolt
5	903001-0003	spring washer
5.1	903001-0003	spring washer(2021.12)
6	903002-0004-02	flat washer
7	568000-0009	front fixer for right plastic
8	568000-0008	front fixer for left plastic
9	908004-0003	plug





前摇臂总成

No.	U8 Code	EN name
1	565000-0001-01O	left lower rocker arm orange
1.1	565000-0001-01B	left lower rocker arm black
2	565000-0002-01O	right lower rocker arm orange
2.2	565000-0002-01B	right lower rocker arm black
3	603002-0019-01	left steering knuckle
4	603002-0020-01	right steering knuckle
5	903018-0035	flange bolt
6	908007-0006	seal gasket
7	902002-0029	rocker arm bush
8	902001-0026	front rocker arm steel bush
9	904002-0002-02	cotter pin
10	903007-0006	flange lock nut
11	903017-0018	bolt
12	902002-0038	rocker arm plastic bush
13	901003-0004	inner bush tube
14	903008-0010	slotted nut
15	908007-0007	steering knuckle seal cover
	565000-0001-01O-assy	left lower rocker arm orange
	565000-0001-01B-assy	left lower rocker arm black
	565000-0002-01O-assy	right lower rocker arm orange
	565000-0002-01B-assy	right lower rocker arm black
	603002-0019-01-assy	left steering knuckle assy
	603002-0020-01-assy	right steering knuckle assy



后平叉总成

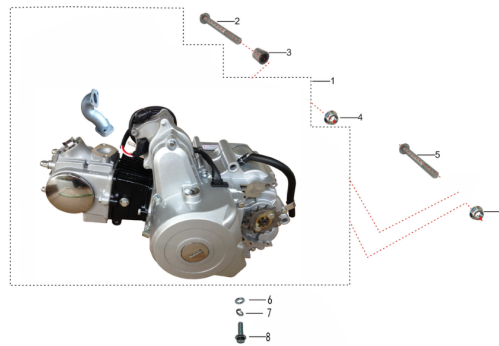
No.	U8 Code	EN name
1	563000-0001-01	black swing arm
2	902001-0053	swing arm bush
3	908007-0007	steering knuckle seal cover
4	903007-0008	flange lock nut
5	568000-0010	chain cover mount plate
6	901003-0007	inner bush tube

No.	Part Number	Description
7	908004-0002	plug
8	901001-0022	flange axle
9	903018-0003-02	flange bolt
10	203000-0052	gray chain
10-1	203001-0002	chain joint
11	203003-0003	chain adjuster
12	203004-0024	chain guide
13	568000-0007	chain plate
14	903019-0013-02	flange bolt
15	903007-0004-02	903007-0004-02
16	203004-0027	chain cover
17	903001-0002	Spring washer
18	903002-0001	Flat washer
19	903005-0004	Nut



后减总成

No.	U8 Code	EN name
1	502000-0069	rear shock
2	903018-0032	flange bolt
3	903007-0006	flange lock nut

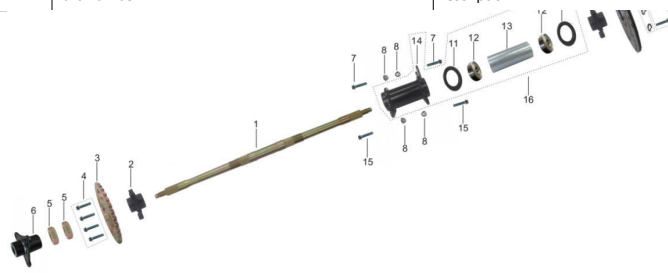


发动机总成

No.	U8 Code	EN name
1	101000-0413	HD70 engine-silver
2	903018-0026	flange bolt
3	902001-0008	bush
4	903007-0005	flange lock nut
5	903018-0021	flange bolt
6	903002-0004-02	washer
7	903001-0003	spring washer
8	903019-0013-02	flange bolt



No.	Part Number	Description
-----	-------------	-------------



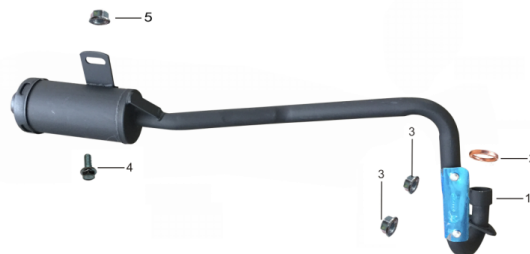
后桥总成

No.	U8 Code	EN name
1	505001-0004	rear wheel axle
2	404011-0003	brake disc base
3	205001-0004	rear sprocket
4	903019-0012	bolt
5	903008-0015	nut
6	402003-0017	rear flange hub
7	903018-0029	flange bolt
8	903007-0006	flange lock nut
9	903001-0003	spring washer
10	405001-0012	rear brake disc
11	908001-0008	oil seal
12	907001-0009	bearing
13	901003-0008	inner bush tube
14	564000-0001	rear axle
15	903018-0030	flange bolt



化油器组件

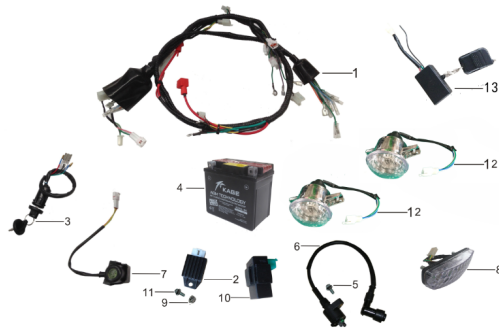
No.	U8 Code	EN name
1	102000-0033	carburetor
3	105000-0026	air filter



消音器总成

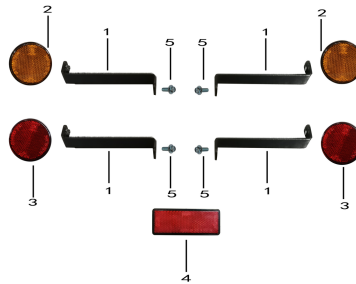
No.	U8 Code	EN name
1	106001-0084	muffler assy.
2	106003-0002	seal gasket

No.	Part Number	Description
3	903007-0002-02	flange locknut
4	903019-0013-02	flange bolt
5	903007-0004-02	lock nut



电器组件

No.	U8 Code	EN name
1	309001-0053	main cable
2	302001-0007-02	voltage regulator
3	314001-0002-03	electric lock
4	312001-0029	battery
5	903018-0005-02	flange bolt
6	306001-0017	ignition coil
7	301001-0004-02	relay
8	308002-0005	tail light
9	903007-0002-02	flange locknut
10	303001-0007-03	CDI
11	903018-0003-02	flange bolt
12	308001-0018	head light
13	316001-0009	Remote controller



反射器

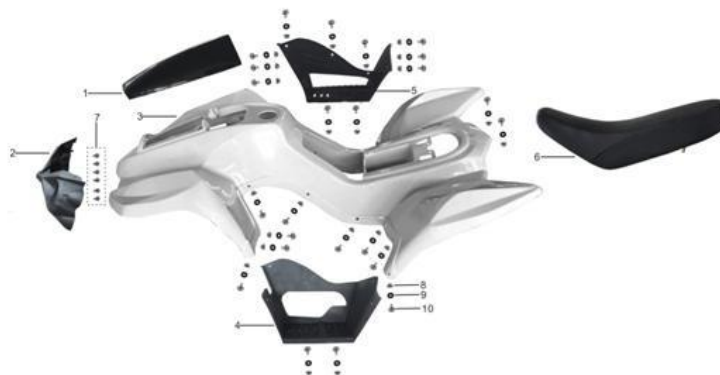
No.	U8 Code	EN name
1	568000-0065	Side reflector bracket
2	308006-0011	Front reflector
3	308006-0012	Rear reflector
4	308006-0010	Rear central reflector
5	903019-0011-02	Bolt





油箱总成

No.	U8 Code	EN name
1	805002-0015	oil tank assy.
2	805003-0010	iron oil tank cap
3	908003-0002	rubber bush
4	903019-0003	flange bolt
5	903002-0002-02	flat washer
6	906002-0001	oile pile clip
7	108001-0001	oil filter /fuel filter
8	903007-0002-02	flange locknut
9	906002-0005	oil pipe clip
10	906002-0008	oil pipe clip
11	903019-0003	flange bolt
12	903006-0002-02	nut
13	805004-0011	negative pressure switch



覆盖件总成

No.	U8 Code	EN name
1	803001-0002	head cover
2	308006-0002	head light bracket
3	803001-0001W	main plastic white
3.1	803001-0001B	main plastic black
3.2	803001-0001R	main plastic red
4	803001-0003	left footpegs plastic
5	803001-0004	right footpegs plastic
6	701000-0039	seat
7	903010-0004-02	screw
8	903007-0002-02	flange locknut
9	908003-0002	rubber bush
10	903012-0007-02	screw

No.	Part Number	Description
-----	-------------	-------------



No.	U8 Code	EN name
1	804001-0043	sticker for white and balck
1.1	804001-0043	sticker for red
2	804001-0044	handlebar foam cover
		safety sticker set