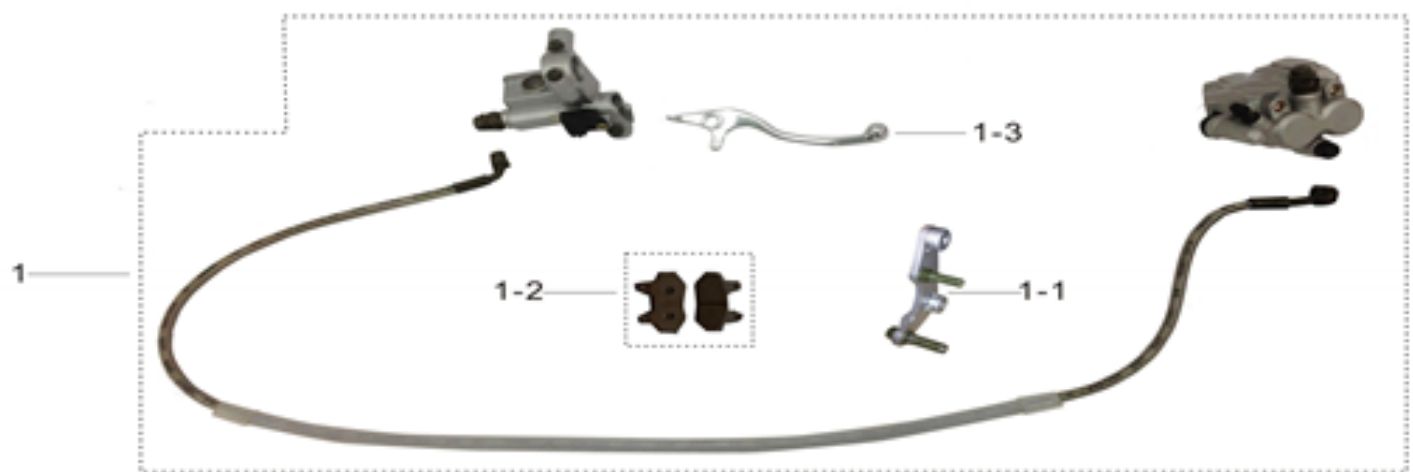


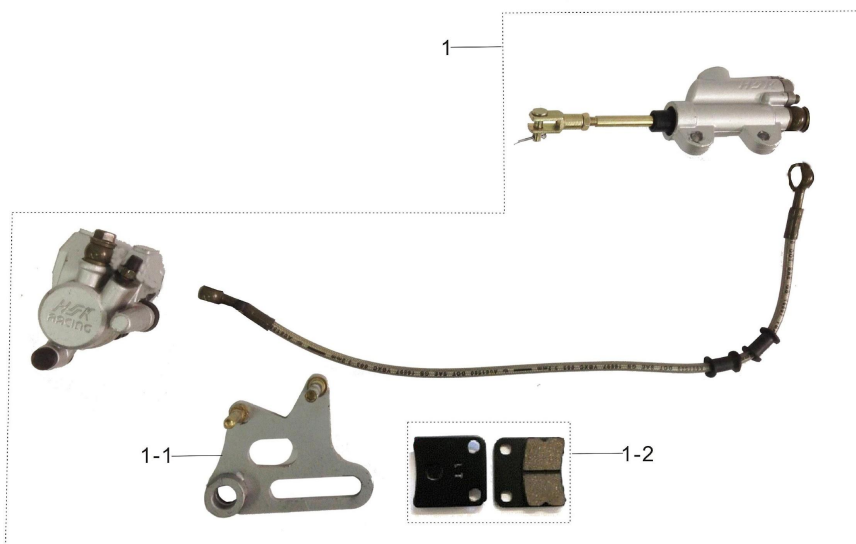
方向把总成

1	602006-0003-02	Right grip
2	602012-0001	throttle perch tube
3	602011-0003	throttle perch
4	602017-0002	handle bar foam
5	602001-0002	steel handle bar
6	602013-0009	clutch cable
7	313003-0015	stop switch
	313002-0007	starting switch
8	602006-0003-02	left grip
9	602014-0010	throttle cable
10	602007-0024-02	clutch lever assy
11	602009-0004	clutch lever
12	602006-0004-02	Right grip

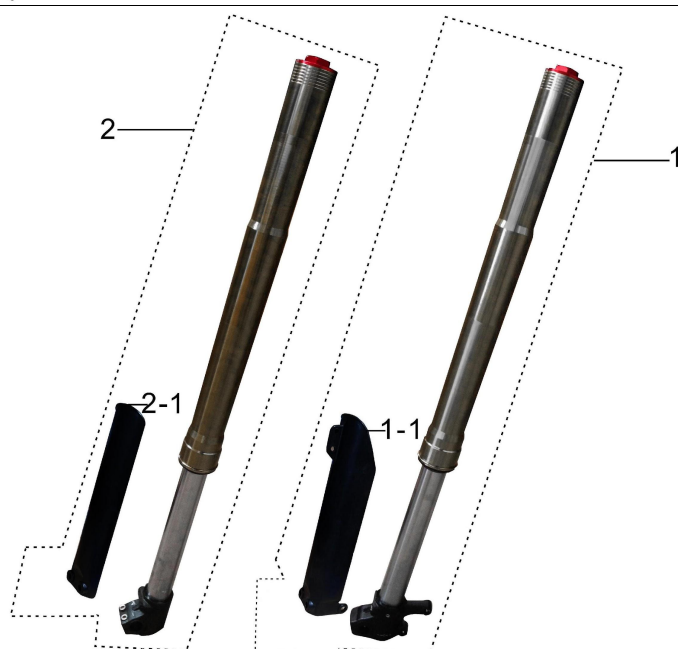


前制动总成

1	404000-0039	front brake assy
1-1	404008-0001	front brake bracket
1-2	404007-0004	front brake pad

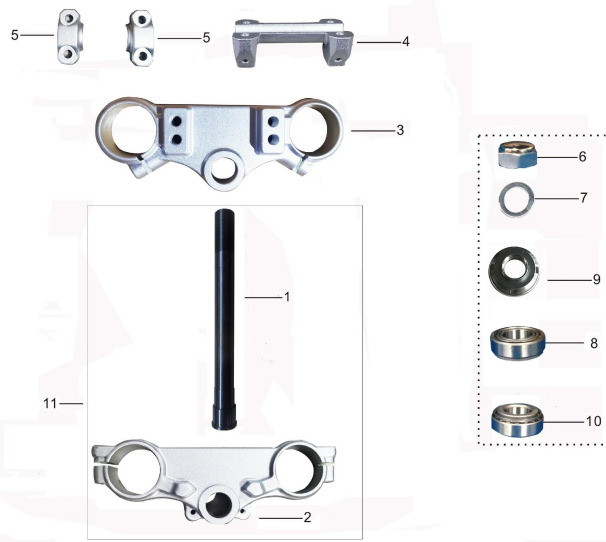


后制动总成



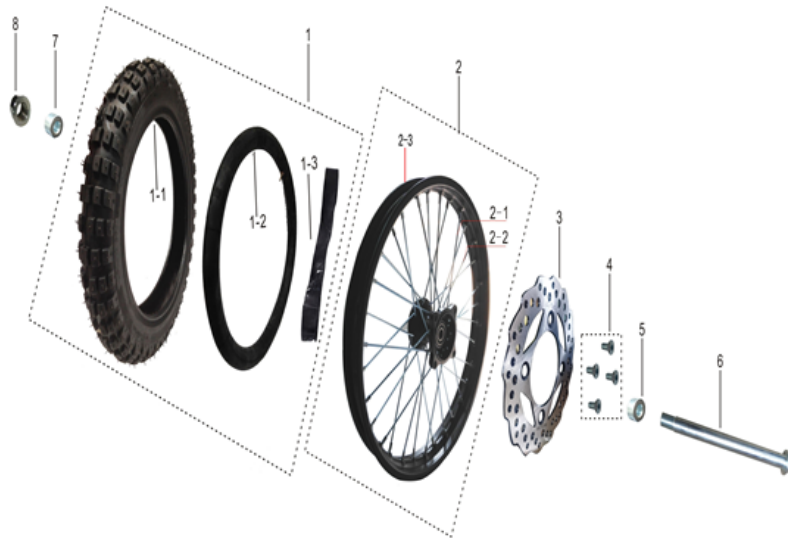
前减总成

1	405000-0032-02	rear brake
1-1	405009-0002	rear brake bracket
1-2	405008-0001	rear brake pad
1	501000-0039-03	left front fork
1--1	501001-0003	front left protector
1	501000-0040-03	right front fork
2--1	501001-0004	front right protector



联板总成

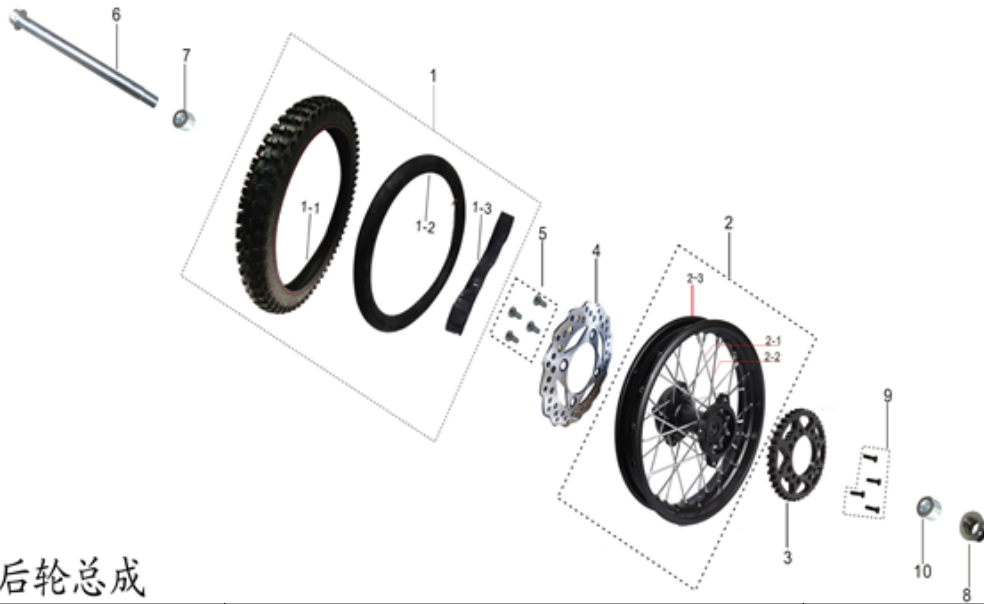
1	601006-0025	steering column
2	601002-0022	lower clamp
3	601001-0026	upper clamp
4	601004-0022	lower raiser
5	601003-0017	upper raiser
6	601005-0001	nut
7	601005-0012	washer
8	907002-0006	bearing
9	601005-0008	dust seal
10	907002-0007	bearing
11	C90002-0011	lower clamp assy



前轮总成

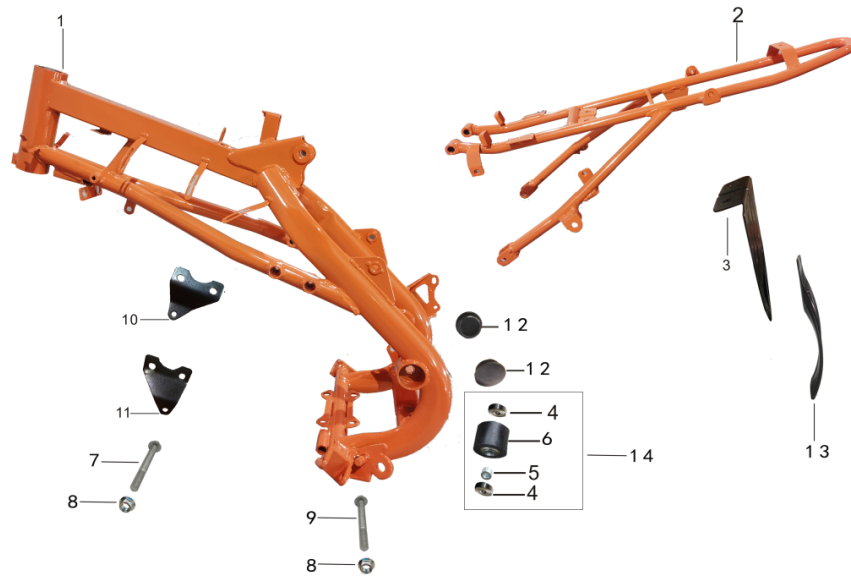
1	401005-0039	tire/tube assembly
1-1	401006-0049	front tyre
1-2	401007-0012	inner tube
1-3	401008-0003	lining belt
2	401000-0026-02	front rim assy
2-1	401004-0009	spoke
2-2	401004-0010	spoke

2-3	401002-0004	steel rim
3	404001-0020	front brake disc
4	404011-0001	bolt
5	902001-0067	busher
6	901001-0029	flange axle
7	902001-0062	busher
8	903007-0009	nut



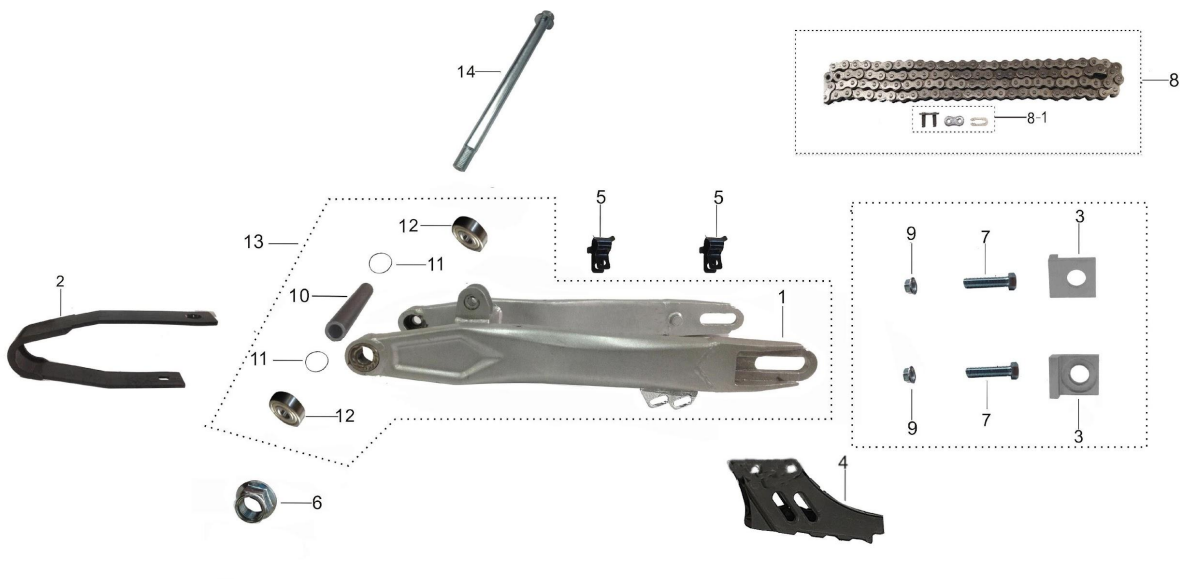
后轮总成

1	402005-0039	rear tire assembly (tire,tube, liner)
1-1	402006-0040	rear tyre
1-2	402007-0009	inner tube
1-3	401008-0002	lining belt
2	402000-0030-02	rear rim assy
2-1	402004-0007	spoke
2-2	402004-0006	spoke
2-3	402002-0002	steel rim
3	205001-0036	steel rear sprocket
4	405001-0018	rear brake disc
5	404011-0001	bolt
6	901001-0033	flange axle
7	902001-0071	busher
8	903007-0009	nut
9	903014-0006	screw
10	902001-0066	busher



### 车架总成

1	551000-0105-04	frame assy.
2	552000-0029-02	sub frame assy.
3	555000-0059	battery box with fender bracket
4	907001-0001	bearing
5	902001-0003	busher
6	203004-0014	chain roller
7	903018-0025	bolt
8	903007-0005	nut
9	903018-0022	bolt
10	555000-0125	engine right mounting point
11	555000-0124	engine left mounting point
12	908004-0008	swing arm plug
13	801004-0008	rear fender
14	C90002-0012	rubber chain roller assy



### 平叉总成

1	553000-0061	steel swing arm
2	203004-0031	chain slider
3	203002-0001-06	alloy chain adjuster

4	203004-0036-01	chain guide
5	405010-0003	oil pipe clip
6	903007-0008	nut
7	903017-0007-03	bolt
8	203000-0068	chain
8-1	203001-0004	chain clip
9	903005-0006	nut
10	902001-0112	busher
11	908005-0006	O-ring
12	907001-0015	bearing
13	C90002-0013	steel swing arm assy
14	901001-0018	flange axle



### 后减总成

1	502000-0035	rear shock assy.
---	-------------	------------------



### 刹车踏板总成

1	406001-0033-02	brake pedal
---	----------------	-------------

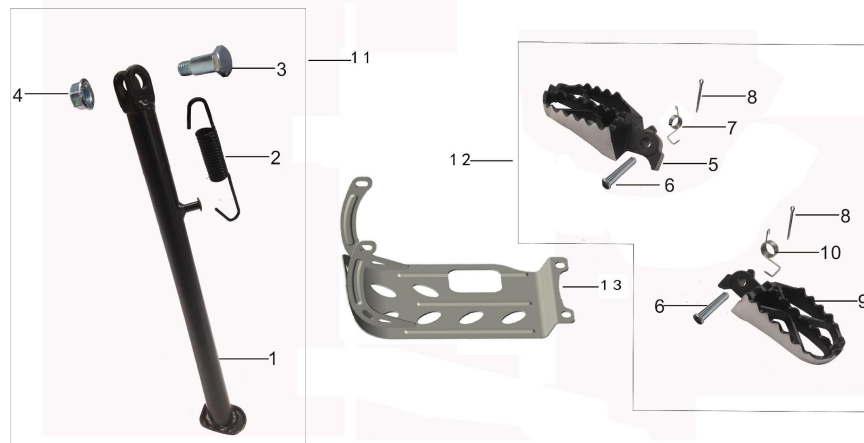


### 发动机总成

1

101000-0576

engine assy.



### 单撑与脚踏组件

1	554000-0032	side stand
2	407002-0001	side stand spring
3	903020-0001	bolt
4	903006-0005	nut
5	506003-0013-01	right footpeg assy.
6	904001-0002	hinger pin
7	407001-0007	right footpeg spring
8	904002-0002	cotter pin

9	506003-0012-01	left footpeg assy.
10	407001-0006	left footpeg spring
11	C90002-0014	side stand assy
12	C90002-0015	cast steel footpeg assy
13	109001-0003-02	steel plate

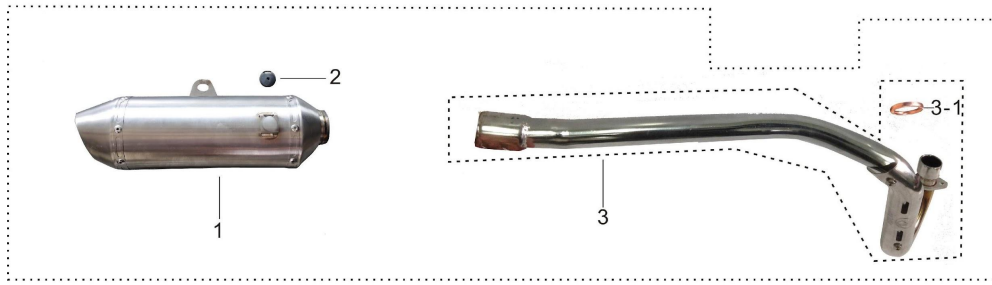


2

### 化油器与空滤器总成

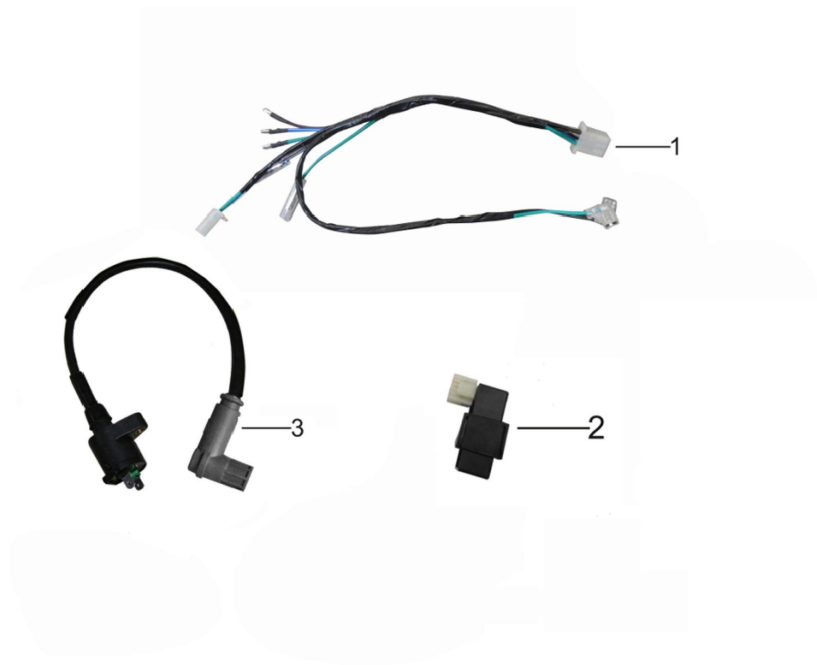
1	102000-0045	carburetor
2	105000-0033	air filter assy
	105002-0003	air filter mesh
	105002-0001	air filter sponge
	105002-0002	air filter sponge





### 消音器总成

1	106002-0038	muffler
2	908007-0052	muffler heat-proof string
3	106001-0106	exhaust pipe
3-1	106003-0002	muffler pipe seal gasket



### 电器组件

1	309001-0136	main cable
2	303001-0001	CDI
3	306001-0001	ignition coil

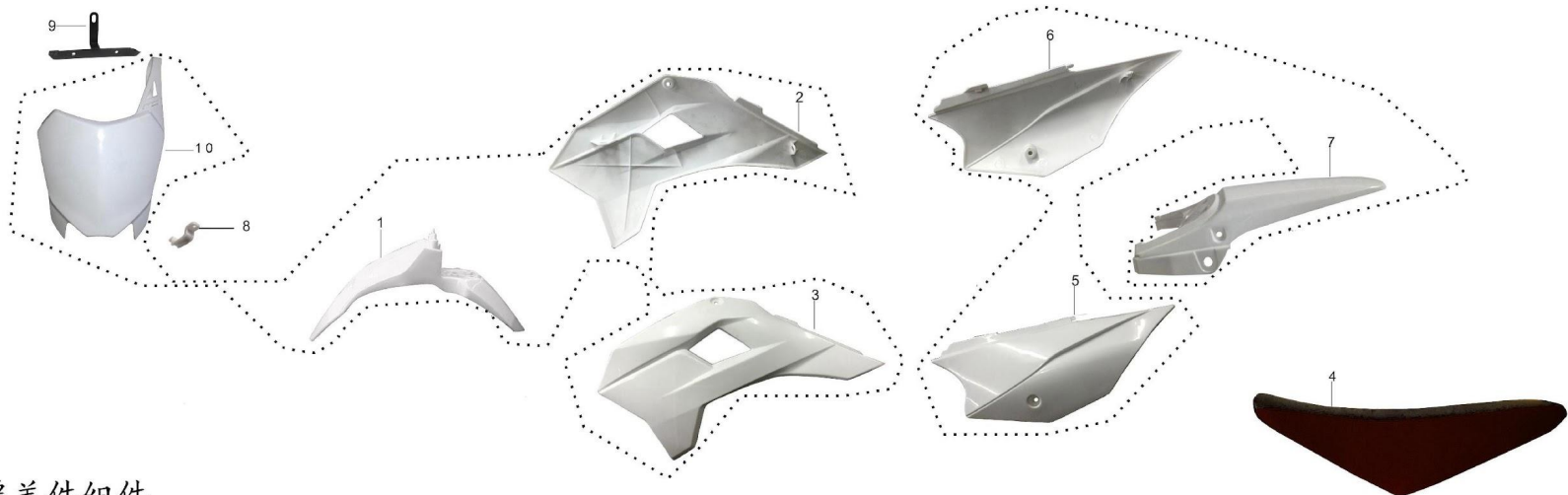


5	302001-0002	Voltage regulator
6	301001-0001	Relay
7	314001-0003-03	Electric key
8	312001-0044	Battery
9	908007-0021	Battery belt



油箱总成

1	805001-0020	fuel tank assy.
1-1	805004-0008	petcock
2	805005-0001-06	One-way air valve
3	805003-0004	fuel tank cover



覆盖件组件

1	801013-0002	front mud guard
2	801007-0002-03	front right cover
3	801007-0001-03	front left cover
4	701000-0004-05	seat assy.
5	801007-0003	rear left cover
6	801007-0004	rear right cover
7	801004-0007-05	rear center cover
8	801003-0011	Line card
9	555000-0137	panel bracket
10	801013-0001-02	Front Panel



GNZ1000-135 513胶

1	802007-0370	sticker
	802007-0371	sticker
	802018-0116	padding cover