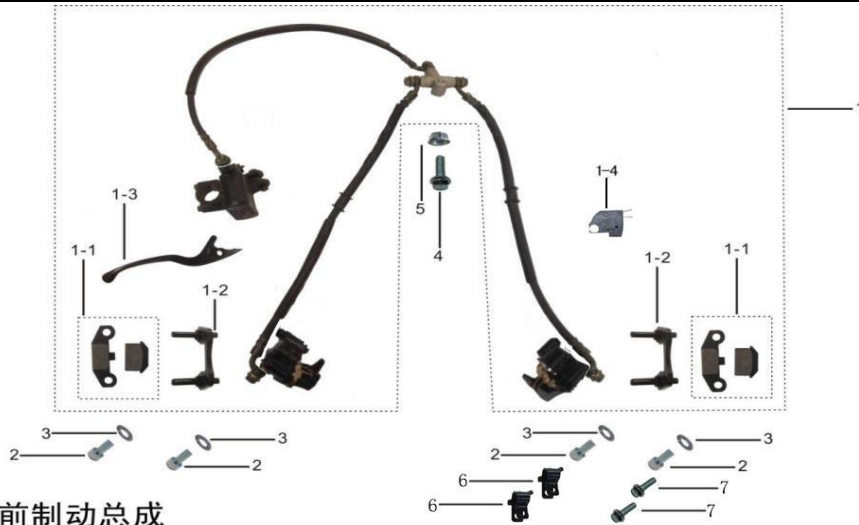


EA110 Parts Diagram



方向把组件

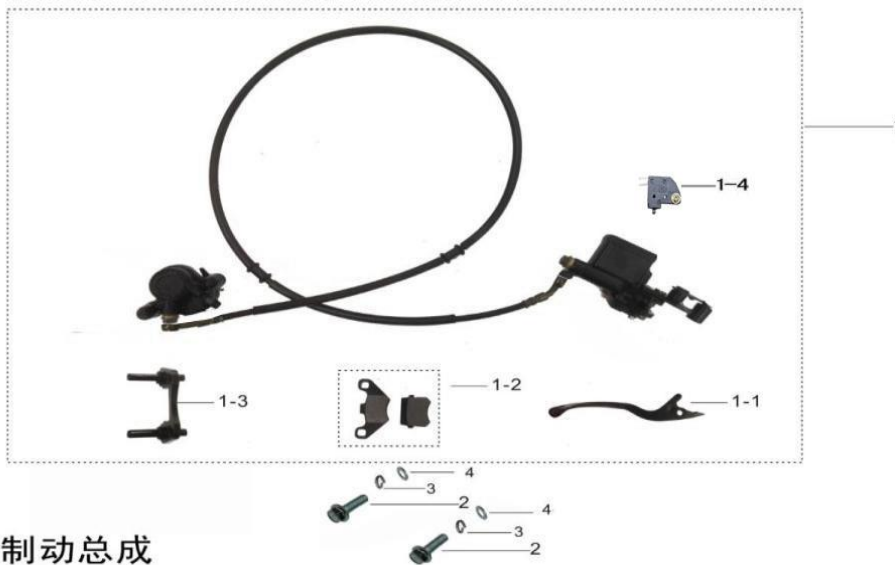
No.	U8 Code	EN name
1	602006-0022	Handlebar grip-L
2	313001-0018	multi-functional switch
3	602001-0019	handlebar
4	602017-0006-02	padding
5	313003-0020	stop switch
6	906003-0002	plastic belt
7	602011-0015	accelerator



前制动总成

No.	U8 Code	EN name
1	404000-0147	front brake assy
1-1	404007-0011	front brake pad
1-2	404008-0011	front brake bracket
1-3	404002-0016	right brake lever
1-4	404011-0014	front brake switch
2	903019-0012-02	flange bolt
3	903002-0004-02	flat washer
4	903018-0011	flange bolt
5	903007-0004-02	flange lock nut

6	405010-0002	Rear disc brake oil pipe clamp
7	903019-0014-02	bolt



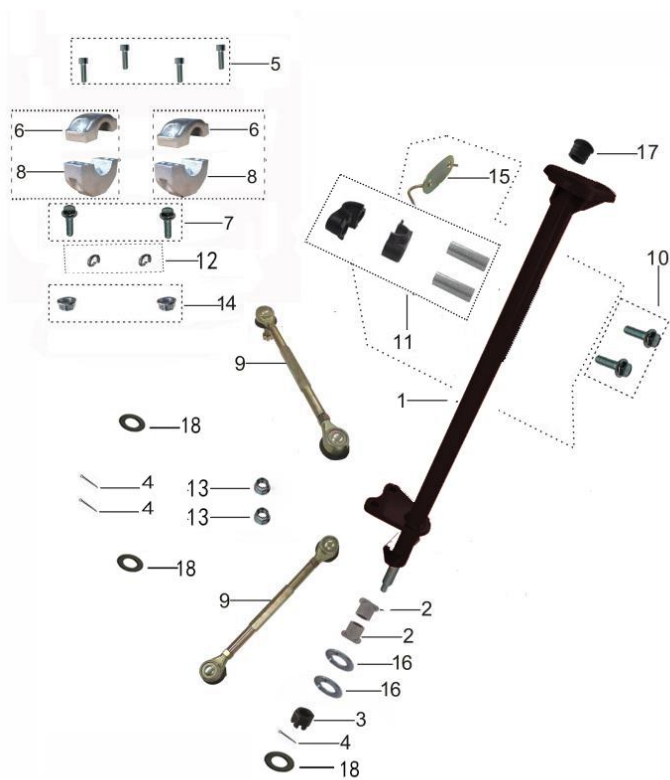
后制动总成

No.	U8 Code	EN name
1	405000-0079	rear brake
1-1	404002-0015	left brake lever
1-2	405008-0007	rear brake pad
1-3	405009-0011	rear brake bracket
1-4	405012-0009	rear brake switch
2	903019-0014-02	flange bolt
3	903001-0003	spring washer
4	903002-0004-02	flat washer



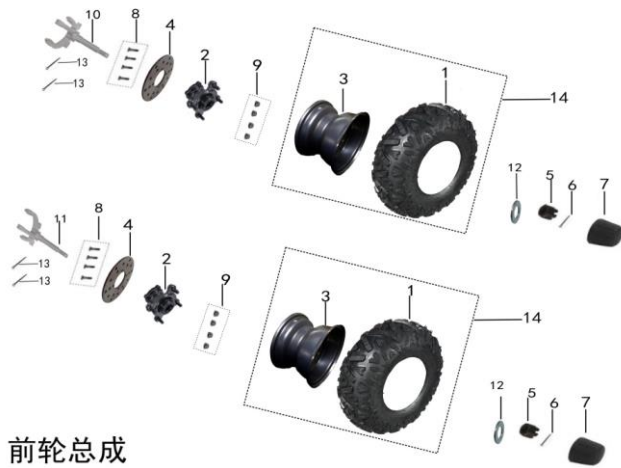
前减总成

No.	U8 Code	EN name
1	501000-0094	front fork
2	903018-0032	flange nut
3	903007-0006	self-locking nut



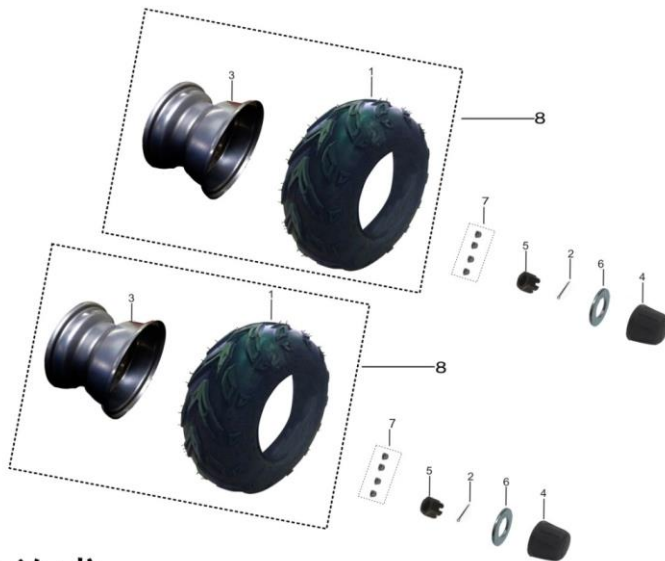
转向柱组件

No.	U8 Code	EN name
1	566000-0013-01	front steering
2	902002-0031	busher
3	903008-0009	slotted nut
4	904002-0002-02	cotter pin
5	903013-0022-02	screw
6	601003-0023	upper raiser
7	903017-0011	flange bolt
8	601004-0028	lower raiser
9	603001-0006	steering linkages assy.
10	903018-0015	flange bolt
11	603004-0003	steering raiser
12	903001-0005	washer
13	903007-0006	nut
14	903007-0007	nut
15	568000-0001	steering column lock piece
16	903003-0003	washer
17	908004-0003	plug
18	903002-0008-02	washer



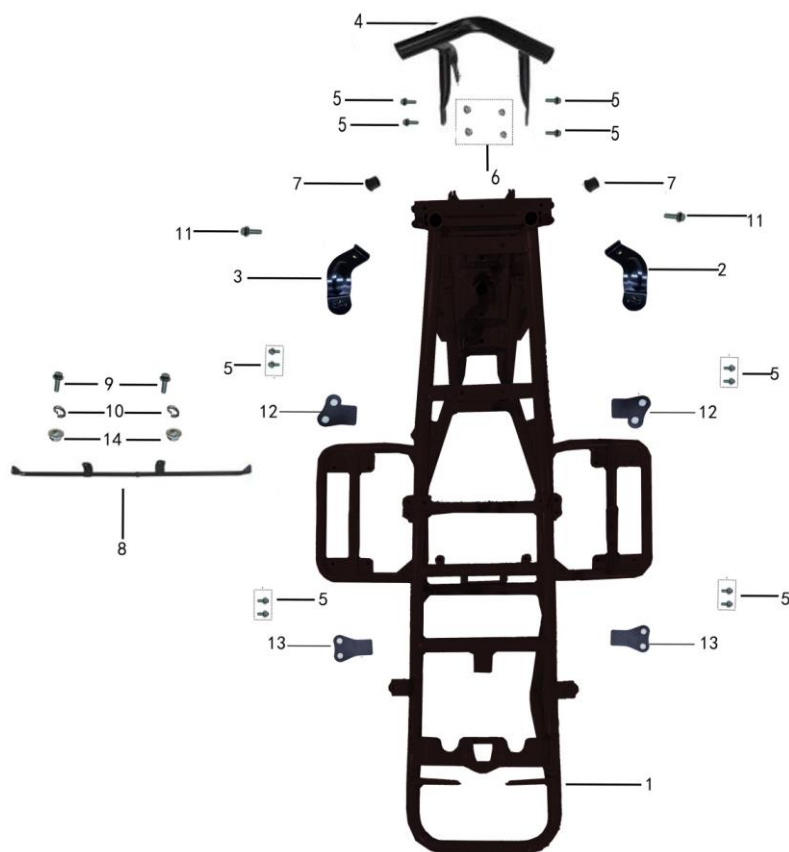
前轮总成

No.	U8 Code	EN name
1	401006-0046	front tire
2	401003-0008	front hub seat
3	401000-0058	front rim
4	404001-0014	front brake disc
5	903008-0011	slotted nut
6	904002-0004-02	cotter pin
7	401011-0001	hub cover
8	903014-0001	screw
9	903007-0004-02	flange lock nut
10	603002-0009	left knuckle
11	603002-0010	right knuckle
12	903002-0013-02	平垫 GB97.1-85
13	904002-0002-02	cotter pin
14	401012-0030	front wheels



后轮总成

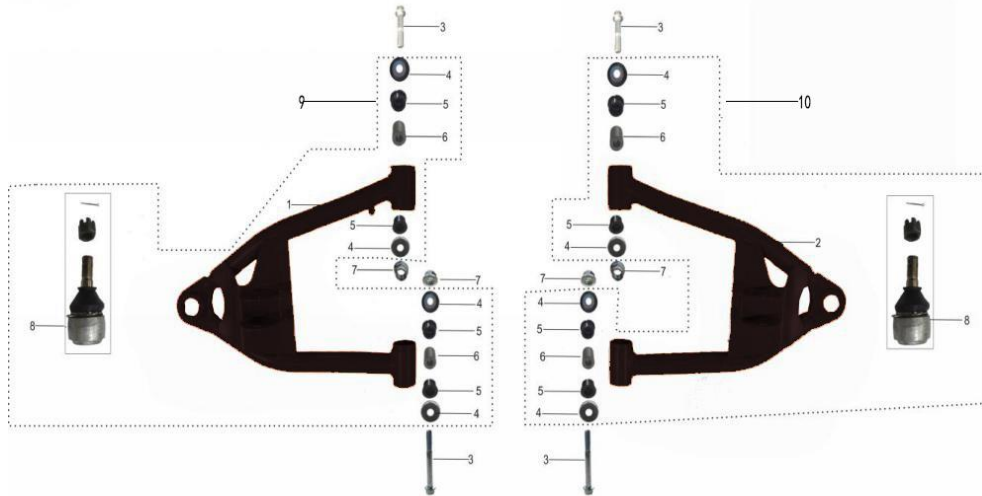
No.	U8 Code	EN name
1	402006-0036	rear tire
2	904002-0006-02	cotter pin
3	402000-0064	rear rim
4	401011-0001	hub cover
5	903008-0030	slotted nut
6	903002-0014	flat washer
7	903007-0006	self-locking nut
8	402008-0030	rear wheels



车架总成

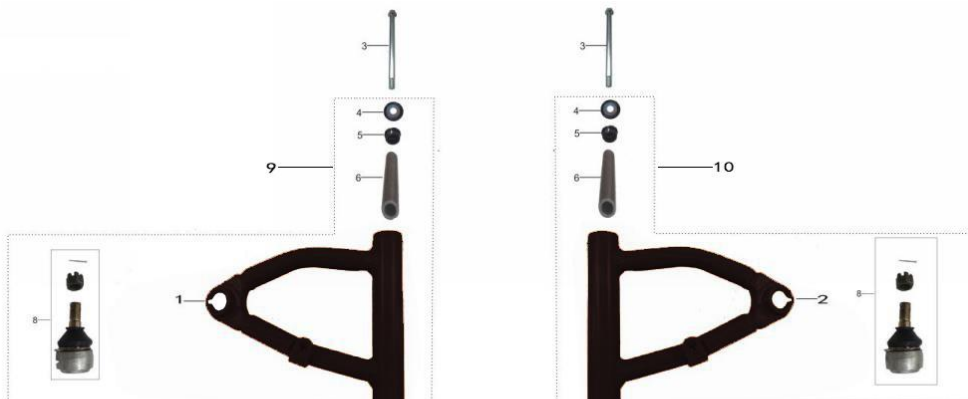
No.	U8 Code	EN name
1	561000-0085-02	frame
2	568000-0070	right front mounting plate
3	568000-0069	left front mounting plate
4	704000-0012	front guard
5	903019-0013-02	bolt
6	903007-0004-02	flange lock nut
7	908007-0015	plug

8	568000-0071	support rebar
9	903018-0003-02	flange bolt
10	903001-0002-02	washer
11	903019-0011-02	bolt
12	315012-0027	battery fixing plate-F
13	315012-0028	battery fixing plate-R
14	903007-0002-02	nut



下摇臂总成

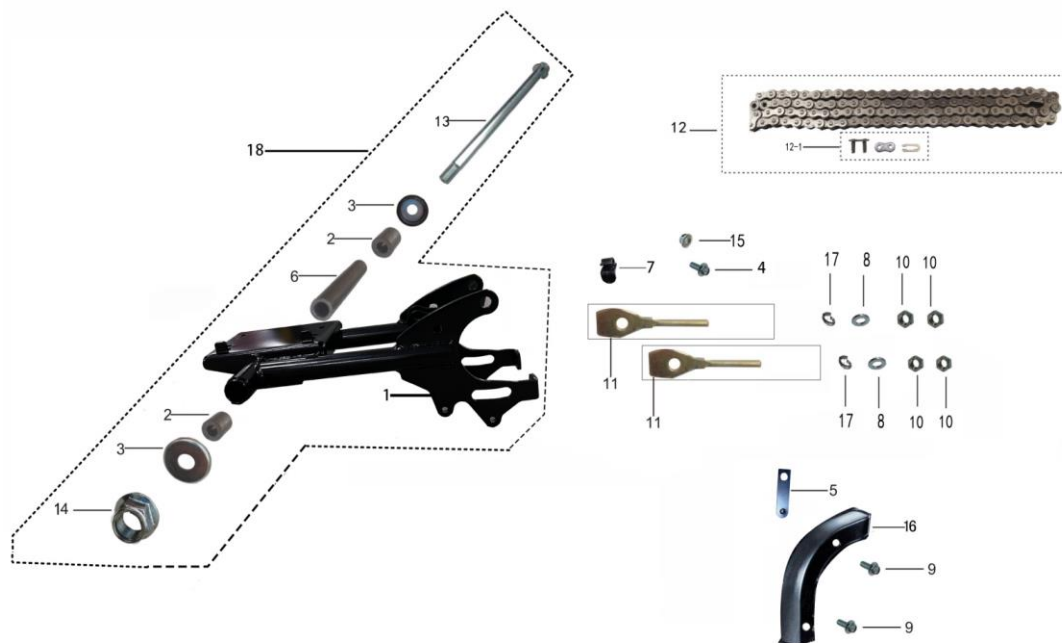
No.	U8 Code	EN name
1	565000-0065-02	left lower rocker arm
2	565000-0066-02	right lower rocker arm
3	903018-0035	flange bolt
4	908007-0006	sealing cover
5	902002-0029	bushing
6	902001-0026	steel bushing
7	903007-0006	self-locking nut
8	603003-0011	linkage ball
9	565000-0065-02A	left lower rocker arm assy
10	565000-0066-02A	right lower rocker arm assy



上摇臂总成



No.	U8 Code	EN name
1	565000-0063-02	left upper swing arm
2	565000-0064-02	right upper rockerarm
3	901001-0005	flange axle
4	908007-0006	sealing cover
5	902002-0038	plastic bushing
6	902001-0040	steel bushing
7	903007-0006	self-locking nut
8	603003-0011	linkage ball
9	565000-0063-02A	left upper rocker arm assy
10	565000-0064-02A	right upper rocker arm assy



后平叉总成

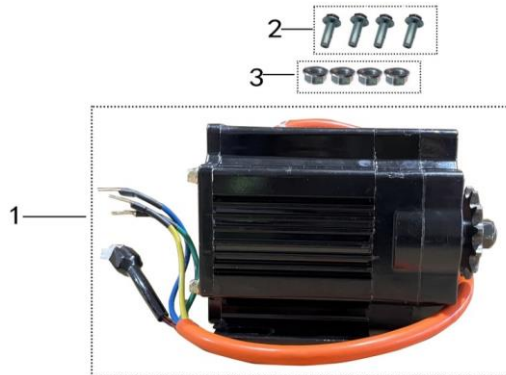
No.	U8 Code	EN name
1	563000-0025-01	swing arm
2	902001-0053	spacer bush
3	908007-0007	sealing cover
4	903019-0003	bolt
5	568000-0140	Sprocket mounting plate
6	901003-0007	inner lining pipe
7	405010-0001	Rear disc brake oil pipe clamp
8	903002-0004-02	washer
9	903018-0003-02	flange bolt
10	903005-0007-02	flange nut

11	203003-0009	chain adjuster
12	203000-0111-02	chain
12-1	203001-0002	chain joint
13	901001-0022	flange axle
14	903007-0008	flange lock nut
15	903007-0002-02	flange lock nut
16	203004-0027	chain cover
17	903001-0003	washer
18	563000-0025-01A	swing arm assy.



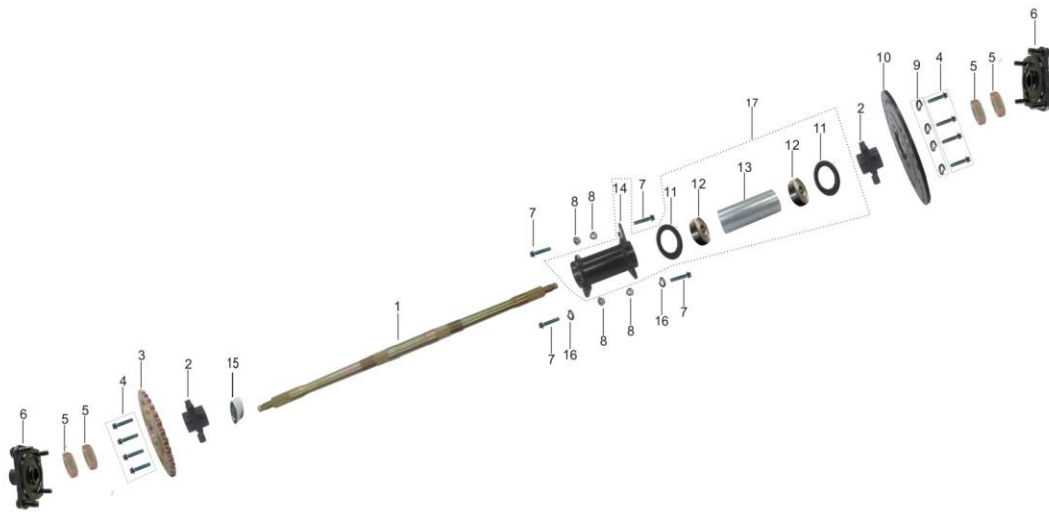
后减总成

No.	U8 Code	EN name
1	502000-0049	rear shock
2	903018-0032	flange nut
3	903007-0007	flange lock nut



电机总成

No.	U8 Code	EN name
1	316004-0025-02	motor
2	903019-0014-02	bolt
3	903007-0004-02	nut



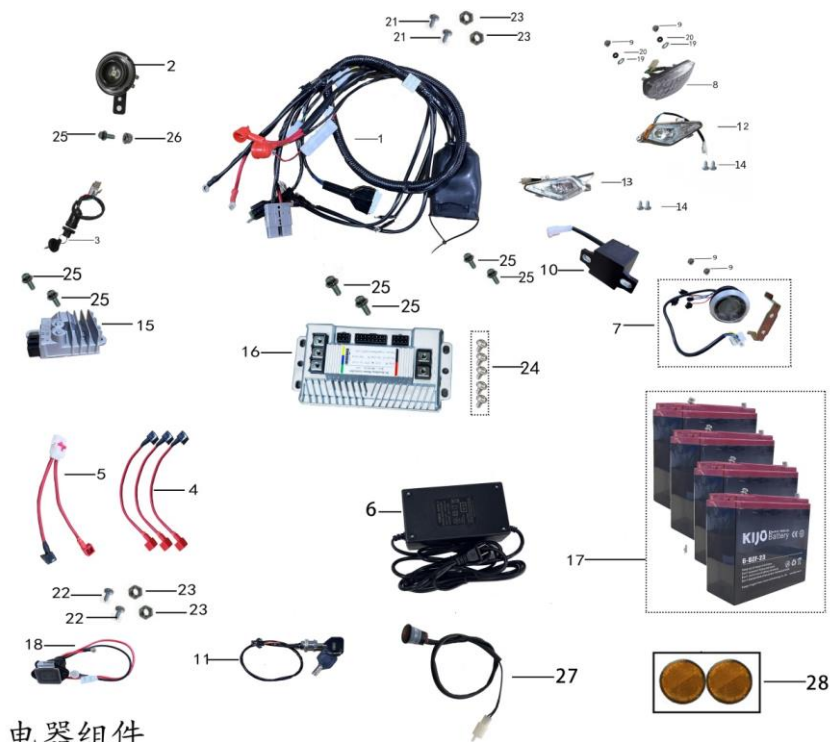
后桥总成

No.	U8 Code	EN name
1	505001-0011	rear wheel axle
2	205003-0004	chain pulley seat
3	205001-0004	rear sprocket
4	903019-0012-02	flange bolt
5	903008-0016	nut
6	402003-0021	rear hub
7	903019-0025	flange bolt
8	903007-0008	flange lock nut
9	903001-0003	spring washer
10	405001-0012	rear brake disc
11	908001-0010	oil seal
12	907001-0010	bearing
13	901003-0009	inner lining pipe
14	564000-0002	rear axle
15	902001-0157	washer
16	903001-0006	spring washer
17	564000-0002A	rear axle assy



电池盒组件

No.	U8 Code	EN name
1	908007-0061	plastic battery box
2	903008-0034	nut
3	903013-0002	screw
4	804019-0051	label
5	909010-0009	EVA



电器组件

No.	U8 Code	EN name
1	309001-0149-03	main cable
2	310001-0001	trumpet
3	314001-0003-03	electric lock
4	309002-0007	connecting wire
5	309002-0006-02	connecting wire
6	316002-0023	connecting wire
7	311001-0025	speed meter
8	308002-0005	rear light
9	903006-0001-02	nut
10	316001-0024	contactor
11	313004-0010	Unlock key switch
12	308001-0025	right front light
13	308001-0024	left front light
14	903010-0004-02	screw

15	316001-0021	transverter
16	316001-0023	controller
17	312001-0018	battery
18	316005-0013-02	charging socket
19	903002-0002-02	flat washer
20	908003-0002	rubber washer
21	903009-0002	screw
22	903011-0001	screw
23	903008-0001	nut
24	903020-0022	screw
25	903019-0003	bolt
26	903007-0002-02	nut
27	308004-0002-02	signal light
28	308006-0011	Front left and right reflectors



覆盖件总成

No.	U8 Code	EN name
1	803002-0012-03	front cover
2	803002-0013	rear cover
3	803002-0016	head cover
4	803002-0014-03	right plastic
5	803002-0015-03	left plastic
6	803002-0017	left footpeg
7	803002-0018	right footpeg
8	701000-0036-02	seat

9	568000-0068	position limiter
10	903012-0008-02	screw
11	902001-0119	busher
12	903006-0002-02	nut
13	903008-0018	nut
14	903012-0003-02	screw
15	903006-0001-02	nut
16	903010-0005-02	screw
17	903010-0004-02	screw
18	903008-0020-2	nut
19	903012-0007-02	screw
20	908003-0002	rubber washer
21	903019-0003	bolt



贴花

No.	U8 Code	EN name
1	804002-0074	sticker
2	804002-0075	handlebar foam cover
3	909006-0004	warning sticker